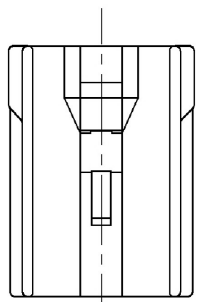


1

2

3

△ PART NO. AND CH. CODE	COLOR
7123-8345	NATURAL
7123-8345-30	BLACK
7123-8345-60	GREEN

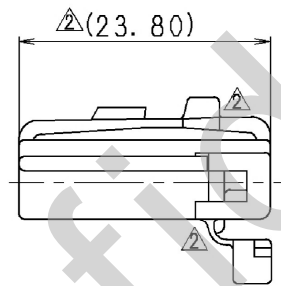
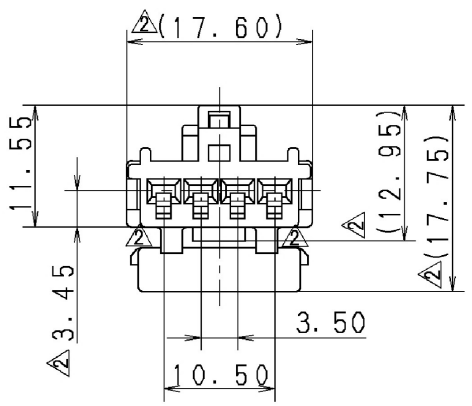


注記

- △ 1. かん合相手は、7122-8345 ETC.
- △ 2. 使用ターミナルは、7116-1473, 7116-1473-08
7116-1474, 7116-1474-08

NOTES

- △ 1. MATING PART NO. : 7122-8345 ETC.
- △ 2. APPLICABLE TERMINAL PART NO. : 7116-1473, 7116-1473-08
7116-1474, 7116-1474-08



△ 10/11/15	CHANGED PART NAME	C10-ZA96	R. M							ISSUE MARK						
△ 05/05/17	CHANGED FORM, ETC.	C05-Z801	S. T	CUSTOMER		MTRL. SPEC.		PBT		TREAT. & FIN.						
△ 88/04/30	CHANGED PART NO., CHANGED AND ADDED NOTES	8MC-0491	H. S	CUSTOMER PART NO.		CUSTOMER DWG NO.		NAME		△SDL TYPE HOUSING						
87/10/02	NEW	7MC-0608	H. S	OFFICE		TRJAL PART NO.		4P FEMALE								
LET	DATE	REVISION RECORD	NO.	CHKD	VENDOR	VENDOR NO.										
△GENERAL TOLERANCE																
	10MAX	50MAX	100MAX	250MAX	2500VR	ANGLE	ECCENT	DWG TYPE	DWG SOURCE	DWG DATE	UNIT	SCL	ANGLE	PART NO.	△7123-8345 ETC.	
A	±0.15	±0.2	±0.3	±0.5	±0.75	±30'	0.1	R	NEW	87/10/02	mm	2:1	3	CH. CODE	△7123-8345 ETC.	
B	±0.2	±0.3	±0.55	±0.95	±1.4	±30'	0.1	APPROVED	CHECKED	CHECKED	DESIGN	DRAWN	DWG NO.	7123-8345:R	SET DWG NO.	
◎	±0.3	±0.5	±0.8	±1.4	±2	±30'	0.15	S. MIZUSE	——	R. CABANGAL	H. SAITOH	R. MAJERANO	YAZAKI CORPORATION			
SPECIFIED			MASS													
			10/11/15		10/11/15		87/10/02		10/11/15							

1

2

3