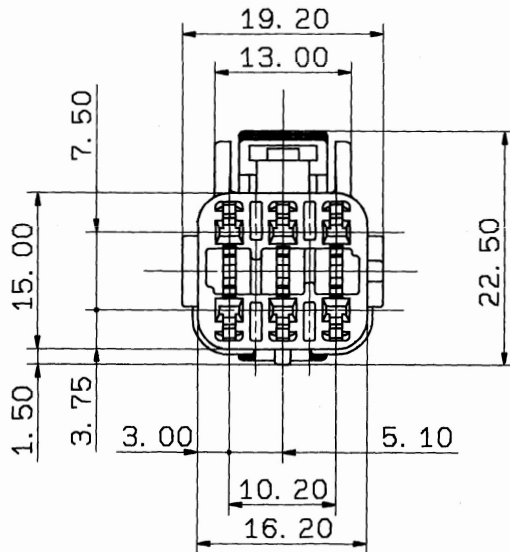
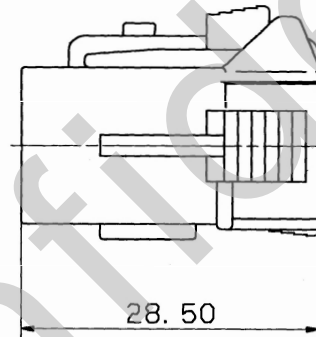
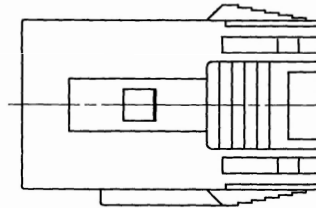


注記

- 1. 嵌合オスハウジング 品番: 7222-7760-40
- 2. 使用フロントホルダ 品番: 7157-7769-50
- 3. 使用メス端子品番: 7116-1304 etc

NOTES

- 1. MATING MALE HOUSING NO. : 7222-7760-40
- 2. APPLICABLE FRONT HOLDER NO. : 7157-7769-50
- 3. APPLICABLE FEMALE TERMINAL NO. : 7116-1304 etc



ISSUE MARK

				CUSTOMER				MATERIAL SPEC.				PBT (GRAY)				TREAT. & FIN.			
				CUSTOMER PART NO.				CUSTOMER DWG NO.				NAME				Z-TYPE CONNECTOR HOUSING			
89.07.19				NEW				CB9-6634				M. K				OFFICE			
LET				DATE				REVISION RECORD				NO.				CHKD			
																STDLIB NO.			
																VENDOR			
																VENDOR NO.			
																PART NO.			
																7123-7760-40			
																DWG NO.			
																7123-7760-40:R			
																TRIAL PART NO.			
																YAZAKI CORPORATION			

GENERAL TOLERANCE							
	10MAX	50MAX	100MAX	250MAX	250OVR	ANGLE	ECCENT
A	±0.15	±0.2	±0.3	±0.5	±0.75	±30'	0.1
B	±0.2	±0.3	±0.55	±0.95	±1.4	±30'	0.1
©	±0.3	±0.5	±0.8	±1.4	±2	±30'	0.15
SPECIFIED							WEIGHT
							g

DWG TYPE	DWG SOURCE	DWG DATE	UNIT	SCL	ANGLE
R	NEW	89.07.19	mm	2/1	3
APPROVED		CHECKED	CHECKED	DESIGN	DRAWN
[Signature]		[Signature]	[Signature]	K. ABE	M. KAI
89.7.24		89.7.20	87.4.2	89.07.19	