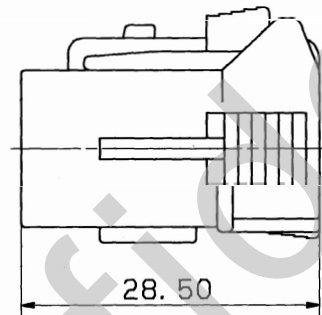
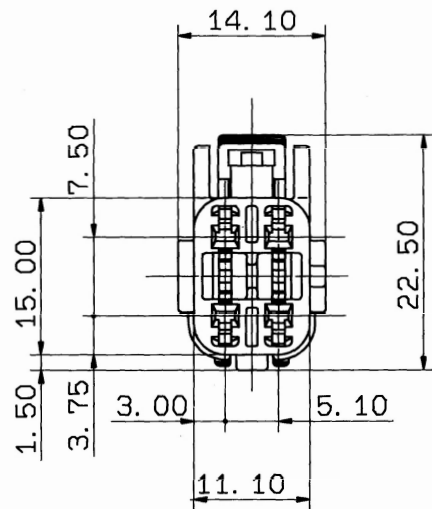


注記

- 1. 嵌合オスハウジング 品番:7222-7740-40
- 2. 使用フロントホルダ 品番:7157-7749-50
- 3. 使用メス端子品番:7116-1304 etc

NOTES

- 1. MATING MALE HOUSING NO. :7222-7740-40
- 2. APPLICABLE FRONT HOLDER NO. :7157-7749-50
- 3. APPLICABLE FEMALE TERMINAL NO. :7116-1304 etc



ISSUE MARK

CUSTOMER										MATL. PBT (GRAY)		TREAT. & FIN.	
CUSTOMER PART NO.					CUSTOMER DWG NO.								
OFFICE										NAME Z-TYPE CONNECTOR HOUSING			
STDLIB NO.										4P F(GY)			
VENDOR NO.										PART NO. 7123-7740-40			
APPROVED										DWG NO. 7123-7740-40:R		TRIAL PART NO.	
CHECKED										YAZAKI CORPORATION			
CHECKED													
DESIGN													
DRAWN													
YASHIMA KAI													
87. 4. 2													
89. 07. 03													

△	89. 07. 03	RENEW	C89-6632	M. K	OFFICE	STDLIB NO.
LET	DATE	REVISION RECORD	NO.	CHKD	VENDOR	
GENERAL TOLERANCE						
	10MAX	50MAX	100MAX	250MAX	2500VR	ANGLE
A	±0.15	±0.2	±0.3	±0.5	±0.75	±30'
B	±0.2	±0.3	±0.55	±0.95	±1.4	±30'
©	±0.3	±0.5	±0.8	±1.4	±2	±30'
SPECIFIED						WEIGHT
						g