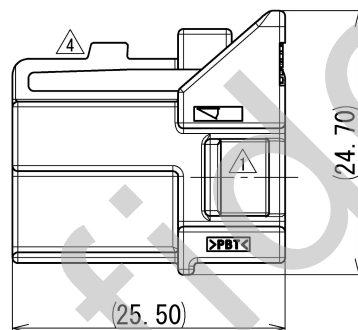
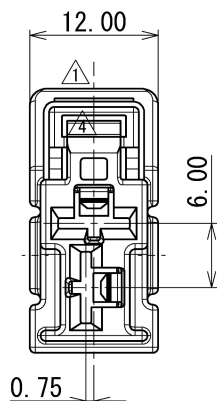
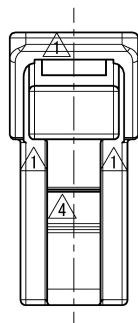


PART NO. AND CH. CODE	COLOR
7123-6329, [B]	NATURAL
7123-6329-40, [B]	GRAY



注記

1. 材質 : PBT
- △ 2. かん合相手品番 : 7122-6329, 7122-6329-40
- △ 3. 適用端子品番 : 7116-2990-02, 7116-2991-02, 7116-2992-02
: 7116-2927-02, 7116-2928-02, 7116-2929-02

NOTES

1. MATERIAL : PBT
- △ 2. MATING PART NO. : 7122-6329, 7112-6329-40
- △ 3. APPLICABLE TERMINAL NO. : 7116-2990-02, 7116-2991-02, 7116-2992-02
: 7116-2927-02, 7116-2928-02, 7116-2929-02

△ 4	2013/09/17	CHANGED FORM, ETC., [B]	C13-Z421	M. M					MATL. SPEC. SEE NOTES		TREAT. & FIN.						
△ 3	2010/11/15	CHANGED PART NAME	C10-ZB06	G. M	CUSTOMER												
△ 2	2000/12/13	CHANGED FORM, [A]	C00-M585	H. Y	CUSTOMER PART NO.				CUSTOMER DWG NO.								
△ 1	1999/11/23	CHANGED FORM ETC.	C99-M745	H. Y							NAME △ 3. M-LC TYPE HOUSING						
	1999/07/13	NEW	C99-M181	H. Y	OFFICE				TRIAL PART NO.		FEMALE 2P (W, GY)						
LET	DATE	REVISION RECORD	NO.	CHKD	VENDOR												
GENERAL TOLERANCE				VENDOR NO.													
	10MAX	50MAX	100MAX	250MAX	2500VR	ANGLE	ECCENT	DWG TYPE	DWG SOURCE	DWG DATE	UNIT	SCL	ANGLE	PART NO. CH. CODE	7123-6329 ETC.		
A	±0.15	±0.2	±0.3	±0.5	±0.75	±30'	0.1	R	NEW	1999/07/13	mm	2:1	3				
B	±0.2	±0.3	±0.55	±0.95	±1.4	±30'	0.1	APPROVED	CHECKED	CHECKED	DESIGN	DRAWN		DWG NO.	7123-6329:R SET DWG NO.		
◎	±0.3	±0.5	±0.8	±1.4	±2	±30'	0.15	T. YAMAWAKI	S. NEMOTO	—	YOSHIDA	M. MIGUEL					
SPECIFIED				MASS				2013/09/17		2013/09/17		1999/06/07		2013/09/17		YAZAKI CORPORATION	