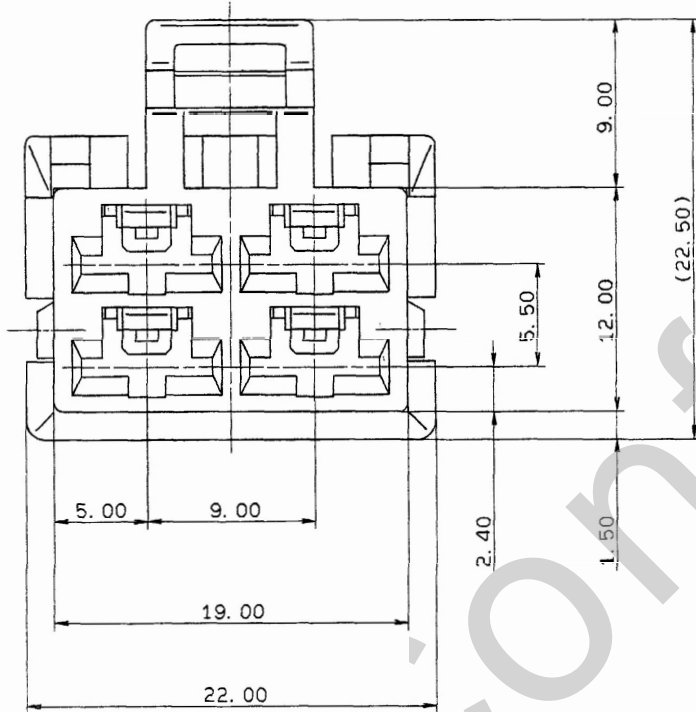
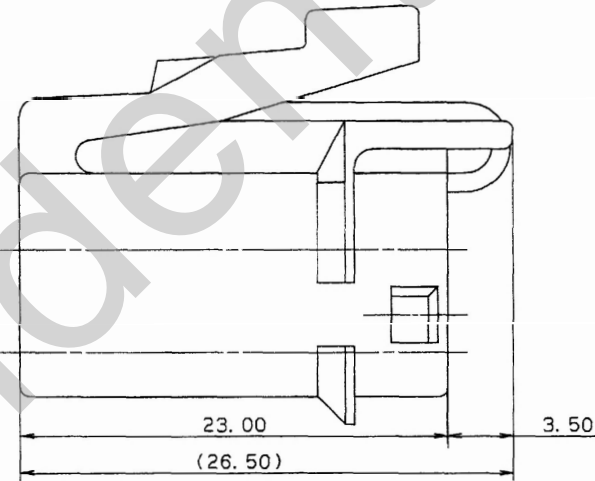
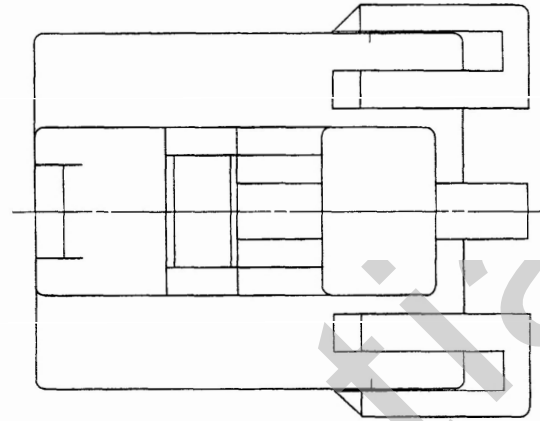


MARK	PART NO.	COLOR
M04FW	7123-6040	NATURAL
M04FW-GY	7123-6040-40	GRAY



注記

- 1) 嵌合相手品番: 7122-6040, 7122-6040-40
- 2) 適用端子品番: 7116-2870, 7116-2871, 7116-2872
- 3) 適用リヤホルダ品番: 7157-6240-30

NOTES

- 1) MATING PART NO. : 7122-6040, 7122-6040-40
- 2) APPLICABLE TERMINAL NO. : 7116-2870, 7116-2871, 7116-2872
- 3) APPLICABLE REAR HOLDER NO. : 7157-6240-30

ISSUE MARK

CUSTOMER	CUSTOMER PART NO.	CUSTOMER DWG NO.	MATL. SPEC.	NYLON	TREAT.	FIN.
OFFICE	STDLIB NO.		NAME M TYPE CONNECTOR			
VENDOR			HOUSING 4PF(W)			
VENDOR NO.	DWG TYPE	DWG SOURCE	DWG DATE	UNIT	SCL	ANGLE
	R	NEW	88.10.13	mm	5/1	3
	APPROVED	CHECKED	CHECKED	DESIGN	DRAWN	PART NO. 7123-6040 ETC.
				SAKAI	S. YAGI	DWG NO. 7123-6040-R
						TRIAL PART NO.
						YAZAKI CORPORATION

GENERAL TOLERANCE						
10MAX	50MAX	100MAX	250MAX	2500VR	ANGLE	ECCENT
A ±0.15	±0.2	±0.3	±0.5	±0.75	±30'	0.1
B ±0.2	±0.3	±0.55	±0.95	±1.4	±30'	0.1
◎ ±0.3	±0.5	±0.8	±1.4	±2	±30'	0.15
SPECIFIED					WEIGHT	g

88.12.08	NEW	BMC-3157	T.M
LET	DATE	REVISION RECORD	NO. CHKD