

1

2

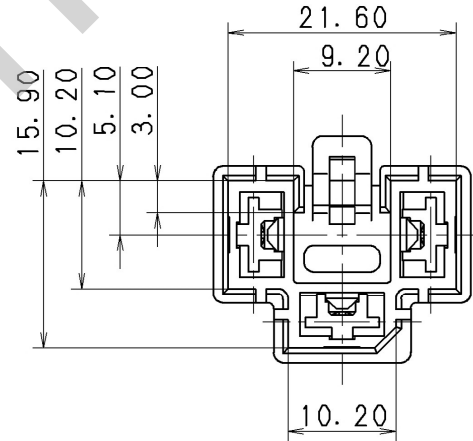
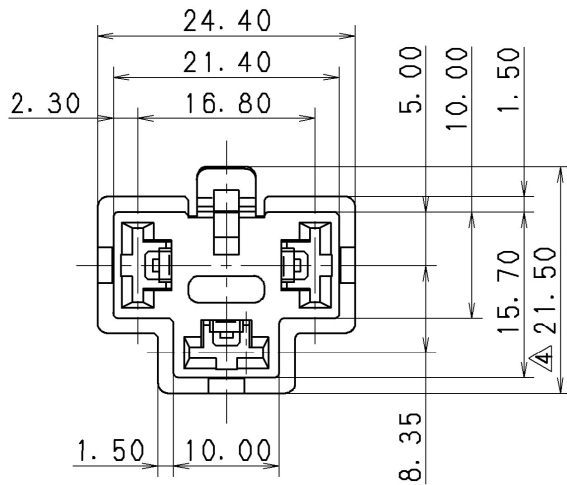
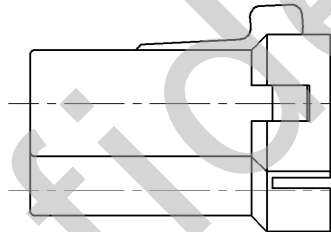
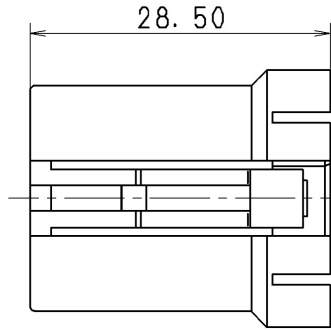
3

注記

- ③ 1. 適用マスターミナル品番 : 7116-2870 ETC.
- 2. 適用リヤホルダ品番 : 7157-6231-40

NOTES

- 1. APPLICABLE FEMALE TERMINAL NO. : 7116-2870 ETC.
- 2. APPLICABLE REAR HOLDER NO. : 7157-6231-40



ISSUE MARK

| | | | | | | | | | | | | | | | |
|------------|-------|--------------------|--------|----------|--------|-------------------|--------|-----------|------------|-------------|-------------|-------------|--------------------|------------------|--------------|
| ③ 10.11.19 | | CHANGED PART NAME | | C10-ZB11 | R. M | CUSTOMER | | ③ | | | MTRL. SPEC. | | NYLON 6 (BLACK) | TREAT. & FIN. | |
| ④ 97.05.19 | | CORRECTED AN ERROR | | C97-6970 | H. K | CUSTOMER PART NO. | | ③ | | | NAME | | ③ M TYPE HOUSING | | |
| ③ 90.02.21 | | RENEW | | C89-M274 | H. Y | OFFICE | | ③ | | | NAME | | ③ M TYPE HOUSING | | |
| LET | DATE | REVISION RECORD | | NO. | CHKD | VENDOR | | ③ | | | NAME | | ③ M TYPE HOUSING | | |
| | | GENERAL TOLERANCE | | | | VENDOR NO. | | | | | NAME | | ③ M TYPE HOUSING | | |
| | 10MAX | 50MAX | 100MAX | 250MAX | 250OVR | ANGLE | ECCENT | DWG TYPE | DWG SOURCE | DWG DATE | UNIT | SCL | ANGLE | PART NO. | 7123-6033-30 |
| A | ±0.15 | ±0.2 | ±0.3 | ±0.5 | ±0.75 | ±30' | 0.1 | R | RENEW | 83.05.17 | mm | 2/1 | 3 | CHG. CODE | 7123-6033-30 |
| B | ±0.2 | ±0.3 | ±0.55 | ±0.95 | ±1.4 | ±30' | 0.1 | APPROVED | CHECKED | CHECKED | DESIGN | DRAWN | DWG NO. | ③ 7123-6033-30:R | |
| Ⓞ | ±0.3 | ±0.5 | ±0.8 | ±1.4 | ±2 | ±30' | 0.15 | S. MIZUSE | _____ | R. CABANGAL | SAKAI | R. MAJERANO | YAZAKI CORPORATION | | |
| SPECIFIED | | | | WEIGHT | | | | 10.11.19 | _____ | 10.11.19 | 83.05.18 | 10.11.19 | | | |

1

2

3