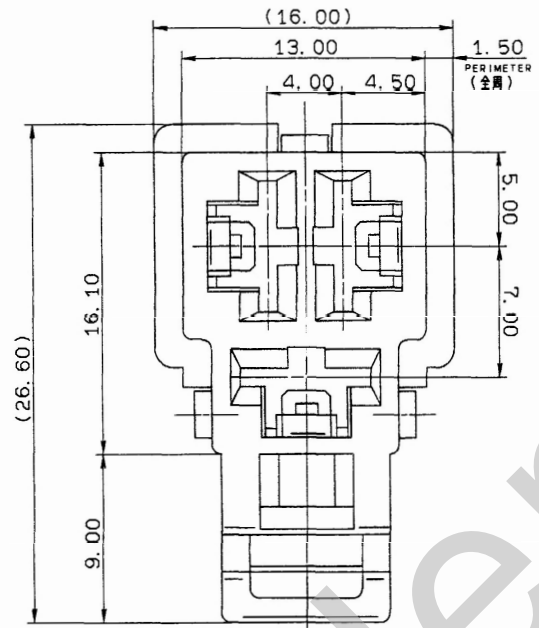


YAZAKI PART NO.	COLOR
7123-6030	NATURAL
7123-6030-40	GRAY

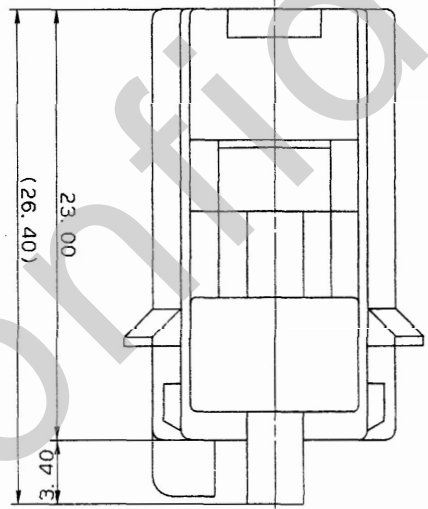
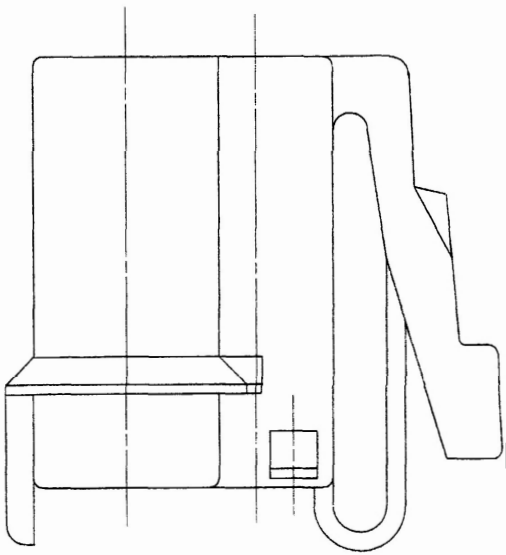


注記

- 1) 嵌合相手品番: 7122-6030
- 2) 適用端子品番: 7116-2870, 7116-2871, 7116-2872
- 3) 適用リヤホルダ品番: 7157-6230-30

NOTES

- 1) MATING PART NO.: 7122-6030
- 2) APPLICABLE TERMINAL NO.: 7116-2870, 7116-2871, 7116-2872
- 3) APPLICABLE REAR HOLDER NO.: 7157-6230-30



LET	DATE	REVISION RECORD	NO.	CHKD
	88.09.22	NEW	8MC-3156	T. M

GENERAL TOLERANCE							
	10MAX	50MAX	100MAX	250MAX	2500VR	ANGLE	ECCENT
A	±0.15	±0.2	±0.3	±0.5	±0.75	±30'	0.1
B	±0.2	±0.3	±0.55	±0.95	±1.4	±30'	0.1
◎	±0.3	±0.5	±0.8	±1.4	±2	±30'	0.15

CUSTOMER	MATL. NYLON	TREAT. & FIN
CUSTOMER PART NO.	CUSTOMER DWG NO.	SPEC.
OFFICE	STDLIB NO.	NAME M TYPE CONNECTOR HOUSING
VENDOR		3PF(W)
VENDOR NO.		PART NO. 7123-6030 ETC.
APPROVED	CHECKED	CHECKED
DESIGN	DRAWN	DWG NO. 7123-6030-R
加藤	前島	TRIAL PART NO.
SAKAI	S. YAGI	YAZAKI CORPORATION