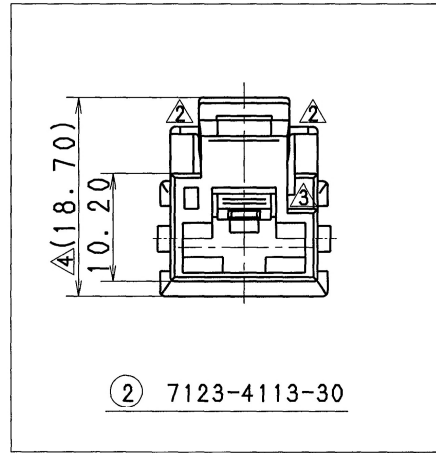
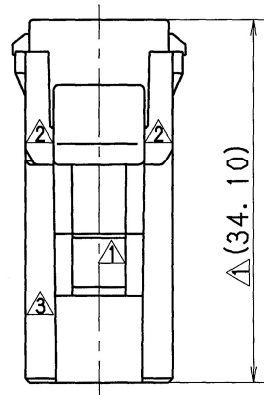


1

2

3



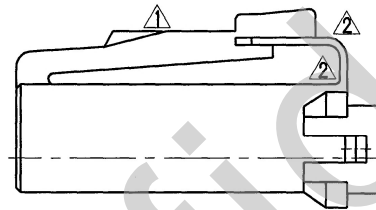
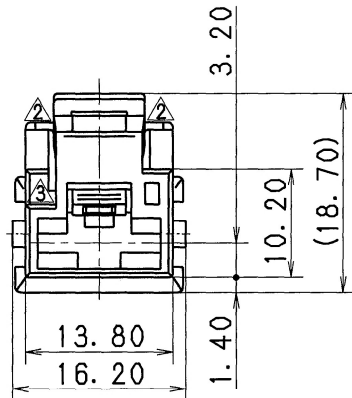
NO.	PART NO. AND CH. CODE	MATERIAL (COLOR)	APPLICABLE REAR HOLDER NO.	MATING PART NO.
①	7123-4110	PA66 (NATURAL)	7157-6411-70	7122-4110
②	7123-4113-30	PA66 (BLACK)	7157-6411-40	7122-4113-30

△ 注記

1. 適用端子品番 : 7116-3250 ETC.

△ NOTE

1. APPLICABLE TERMINAL NO. : 7116-3250 ETC.



① 7123-4110

△	DATE	REVISION RECORD	NO.	CHKD	CUSTOMER	CUSTOMER PART NO.	CUSTOMER DWG NO.	MATL. SPEC.	TREAT. & FIN.	ISSUE MARK					
△	11.08.28	DELETED DIMENSION ETC.	C11-Z603	R. E				SEE TABLE							
△	03.07.22	CORRECTION OF A CLERICAL ERROR OF THE SHAPE	C03-X447	O. S											
△	01.06.11	CHANGED FORM	C01-X589	H. Y											
△	92.11.25	CHANGED FORM & RENEW	C92-M051	M. M											
△	88.07.12	NEW	BMC-3038	S. Y											
LET	DATE	REVISION RECORD	NO.	CHKD	OFFICE	TRIAL PART NO.		NAME △ L TYPE HOUSING 1PF							
					VENDOR			-----							
GENERAL TOLERANCE					VENDOR NO.										
	10MAX	50MAX	100MAX	250MAX	250QVR	ANGLE	ECCENT	DWG TYPE	DWG SOURCE	DWG DATE	UNIT	SCL	ANGLE	PART NO.	7123-4110 ETC.
A	±0.15	±0.2	±0.3	±0.5	±0.75	±30'	0.1	R	NEW	88.07.04	mm	2/1	3	CH. CODE	
B	±0.2	±0.3	±0.55	±0.95	±1.4	±30'	0.1	APPROVED	CHECKED	CHECKED	DESIGN	DRAWN	DWG NO.	7123-4110:R	SET DWG NO.
③	±0.3	±0.5	±0.8	±1.4	±2	±30'	0.15	M. KASHIYAMA	---	K. URANO	INABA	R. EVANGELISTA	YAZAKI CORPORATION		
SPECIFIED					MASS	11.08.28			---	11.08.28	83.06.25	11.08.28			

1

2

3