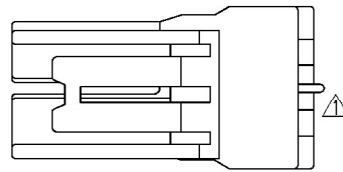


1

2

3

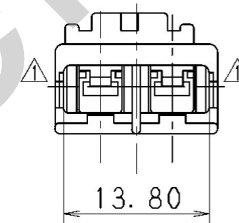
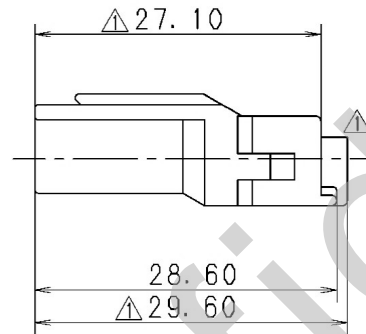
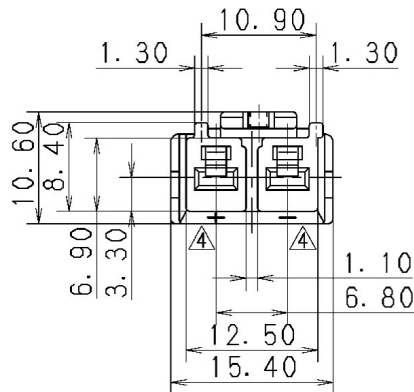


NOTES

- 1. MATING PART NO. : 7122-1920
- 2. APPLICABLE TERMINAL NO. : 7116-1240
- △ 3. APPLICABLE REAR HOLDER NO. : 7157-6822

注記

- 1. かん合相手品番 : 7122-1920
- 2. 適用端子品番 : 7116-1240
- △ 3. 適用リヤホルダ品番 : 7157-6822



△	10.11.26	CHANGED PART NAME	C10-ZB17	J. C
△	01.06.15	ELIMINATE REAR HOLDER COLOR NO.	C01-X575	H. Y
△	89.11.22	ADD. THE STAMP	C89-7550	M. K
△	89.06.26	誤記訂正	C89-7036	M. K
△	89.04.05	リヤホルダ色変更	C89-6531	M. K
△	84.11.26	CHANGED FORM, RENEW	C84-1084	K. S
△	84.01.21	NEW	C84-0109	K. S
LET	DATE	REVISION RECORD	NO.	CHKD

CUSTOMER		MATERIAL SPEC.		TREAT. & FIN.	
CUSTOMER PART NO.		CUSTOMER DWG NO.		NAME	
OFFICE		TRIAL PART NO.		△ T TYPE HOUSING 2P	
VENDOR		VENDOR NO.		FEMALE (W)	

GENERAL TOLERANCE							
	10MAX	50MAX	100MAX	250MAX	250OVR	ANGLE	ECCENT
A	±0.15	±0.2	±0.3	±0.5	±0.75	±30'	0.1
B	±0.2	±0.3	±0.55	±0.95	±1.4	±30'	0.1
◎	±0.3	±0.5	±0.8	±1.4	±2	±30'	0.15
SPECIFIED							MASS

DWG TYPE	DWG SOURCE	DWG DATE	UNIT	SCL	ANGLE
R	NEW	84.01.21	mm	2/1	3
APPROVED	CHECKED	CHECKED	DESIGN	DRAWN	
S. MIZUSE		R. CABANGAL	K. SAKURAI	J. CANDO	
10.11.26		10.11.26	84.01.21	10.11.26	

MATERIAL SPEC.	PA66 (NATURAL)	TREAT. & FIN.	
NAME	△ T TYPE HOUSING 2P		
	FEMALE (W)		
PART NO.	7123-1920		
CH. CODE	7123-1920		
DWG NO.	△ 7123-1920:R	SET DWG NO.	
YAZAKI CORPORATION			

1

2

3

