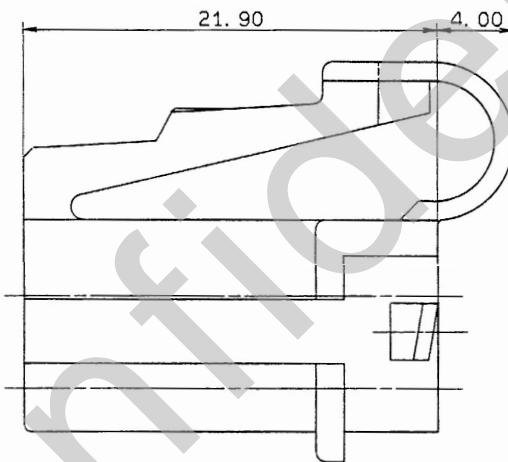
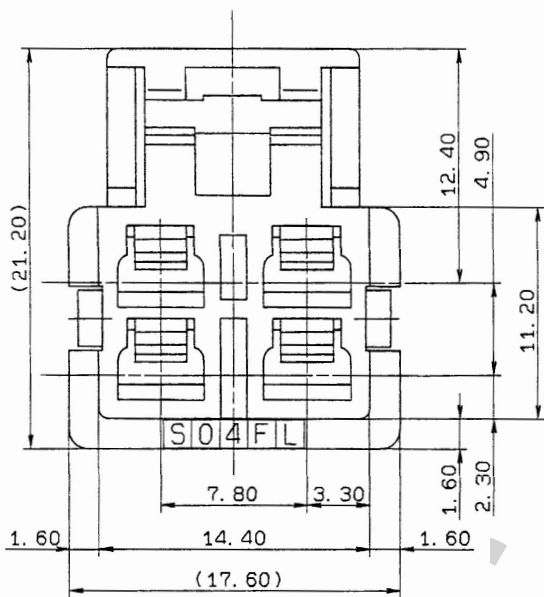


注 記

- 1. 適用端子番号: 7116-1230, 7116-1231
- 2. 適用リヤホルダ'番号: 7157-6042-90
- 3. 嵌合相手品番: 7122-1649-90

NOTES

- 1. APPLICABLE TERMINAL NO.
: 7116-1230, 7116-1231
- 2. APPLICABLE REAR HOLDER NO.
: 7157-6042-90
- 3. MATING PART NO.
: 7122-1649-90



ISSUE MARK

CUSTOMER		MATL. SPEC.		TREAT. & FIN.	
CUSTOMER PART NO.		CUSTOMER DWG NO.		NYLON (BLUE)	
OFFICE		STDLIB NO.		NAME	
VENDOR		VENDOR NO.		S TYPE CONNECTOR	
GENERAL TOLERANCE		DWG TYPE		DWG SOURCE	
10MAX 50MAX 100MAX 250MAX 2500VR		R		NEW	
ANGLE ECCENT		DWG DATE		UNIT	
±0.15 ±0.2 ±0.3 ±0.5 ±0.75 ±30° 0.1		88.08.31		mm	
A ±0.2 ±0.3 ±0.55 ±0.95 ±1.4 ±30° 0.1		APPROVED		SCL	
B ±0.3 ±0.5 ±0.8 ±1.4 ±2 ±30° 0.15		CHECKED		ANGLE	
C ±0.3 ±0.5 ±0.8 ±1.4 ±2 ±30° 0.15		DESIGN		5/1	
SPECIFIED		DRAWN		3	
WEIGHT		PART NO.		7123-1649-90	
88.09.07		DWG NO.		7123-1649-90.R	
88.09.08		TRIAL PART NO.			
88.09.06		YAZAKI CORPORATION			
83.06.30					
88.08.31					

LET	DATE	REVISION RECORD	NO.	CHKD
88.09.05		N E W	8MC-3144	T. M