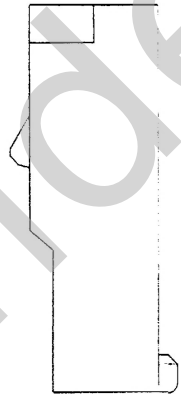
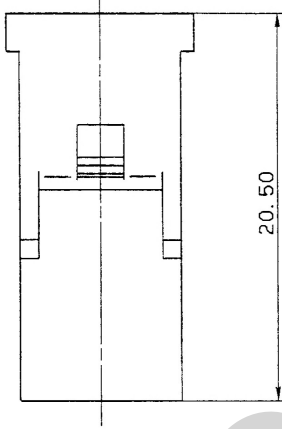
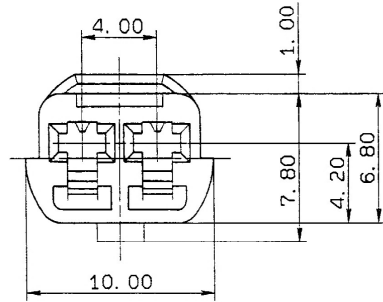


YAZAKI NO.	COLOR
7123-1520	NATURAL
7123-1520-30	BLACK
7123-1520-40	GRAY
7123-1520-50	ORANGE
7123-1520-60	GREEN
7123-1520-70	YELLOW
7123-1520-80	BROWN
7123-1520-90	BLUE



注記

- 1. 嵌合相手品番：7122-1520 ETC.
- 2. 適用端子品番：7116-1180, 7116-1181

NOTES

- 1. MATING PART NO. : 7122-1520 ETC.
- 2. APPLICABLE TERMINAL NO. : 7116-1180, 7116-1181

ISSUE MARK

LET	DATE	REVISION RECORD	NO.	CHKD
88.07.12	N E W	SMC-3021	S.Y	

GENERAL TOLERANCE							
	10MAX	50MAX	100MAX	250MAX	250OVR	ANGLE	ECCENT
A	±0.15	±0.2	±0.3	±0.5	±0.75	±30'	0.1
B	±0.2	±0.3	±0.55	±0.95	±1.4	±30'	0.1
C	±0.3	±0.5	±0.8	±1.4	±2	±30'	0.15
SPECIFIED							WEIGHT
							g

CUSTOMER	MATL.	TREAT.
CUSTOMER PART NO.	NYLON	& FIN.
CUSTOMER DWG NO.	SPEC.	
OFFICE	NAME 2P 090 FEMALE HOUSING	
VENDOR	STDLIB NO.	
VENDOR NO.		
DWG TYPE	DWG SOURCE	DWG DATE
R	N E W	88.06.28
APPROVED	CHECKED	DESIGN
		DRAWN
	加藤 前島	KANEKO S. YAGI
PART NO.	7123-1520 ETC.	
DWG NO.	7123-1520-R	TRIAL PART NO.
YAZAKI CORPORATION		