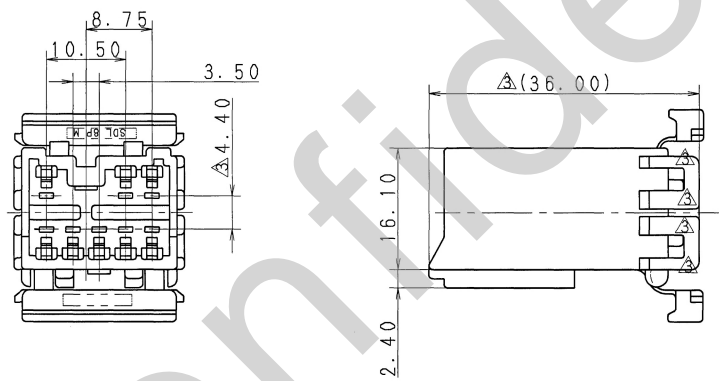
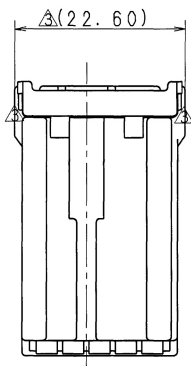


YAZAKI PART NO.	COLOR
7122-8386	NATURAL
7122-8386-30	BLACK
7122-8386-70	YELLOW



- 注 記
1. 办合相手品番: 7123-8386 ETC.
  2. 通用端子品番: 7114-1470, 7114-1470-08, 7114-1475, 7114-1475-08.

- NOTES
1. MATING PART NO. :7123-8386 ETC.
  2. APPLICABLE TERMINAL PART NO. :7114-1470, 7114-1470-08, 7114-1475, 7114-1475-08.

LET	DATE	REVISION RECORD	NO.	CHKD
△	2014/11/06	CHANGED FORM, ETC.	C14-2655	A. Q
△	1992/11/18	ADDED PART No.	C92-6964	K. S
△	1992/07/23	RENEW	C92-6711	A. H

GENERAL TOLERANCE							
	10MAX	50MAX	100MAX	250MAX	250OVR	ANGLE	ECCENT
A	±0.15	±0.2	±0.3	±0.5	±0.75	±30'	0.1
B	±0.2	±0.3	±0.55	±0.95	±1.4	±30'	0.1
◎	±0.3	±0.5	±0.8	±1.4	±2	±30'	0.15
SPECIFIED						MASS	g

CUSTOMER		MATL. P. B. T		TREAT.	
CUSTOMER PART NO.		SPEC.		& FIN.	
OFFICE		NAME		△SDL TYPE HOUSING	
VENDOR		TRIAL PART NO.		8P MALE	
VENDOR NO.		DWG SOURCE		PART NO.	
		NEW		7122-8386 ETC.	
		DWG DATE		CH. CODE	
		1988/07/04		7122-8386:R	
		UNIT		SET DWG NO.	
		mm		7122-8386:R	
		SCL		YAZAKI CORPORATION	
		2:1			
		ANGLE			
		3			
		APPROVED			
		CHECKED			
		DESIGN			
		DRAWN			
		DWG NO.			
		2014/11/06			
		1988/07/04			
		2014/11/06			

ISSUE MARK