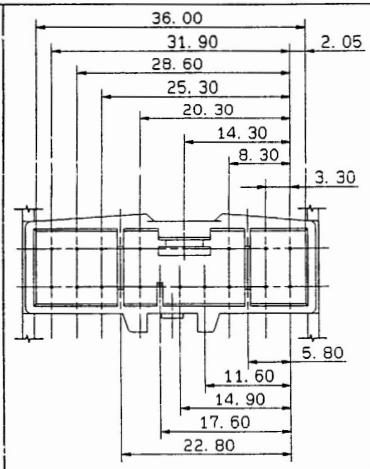
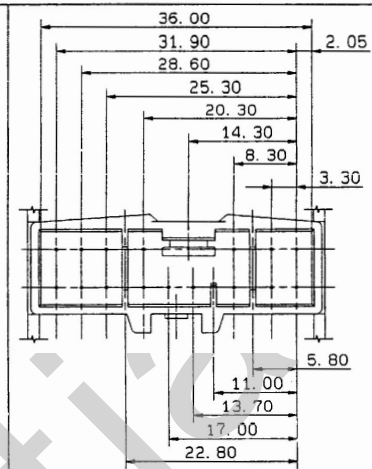
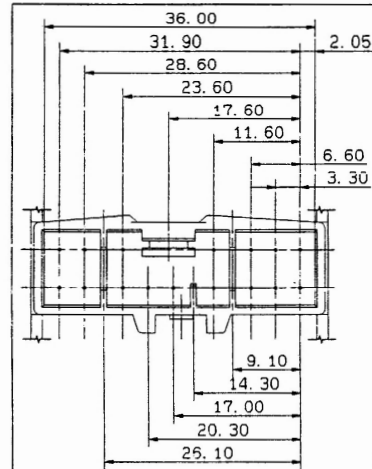
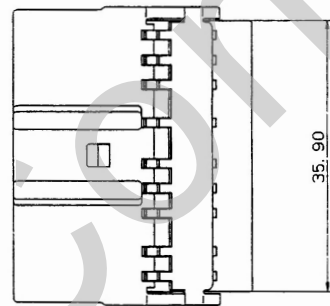
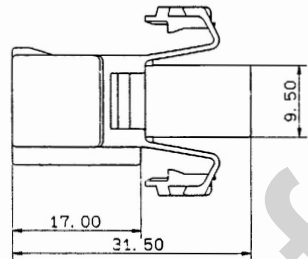
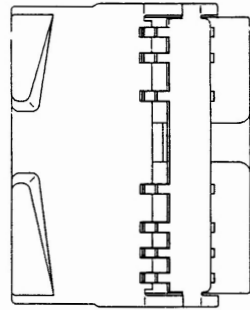
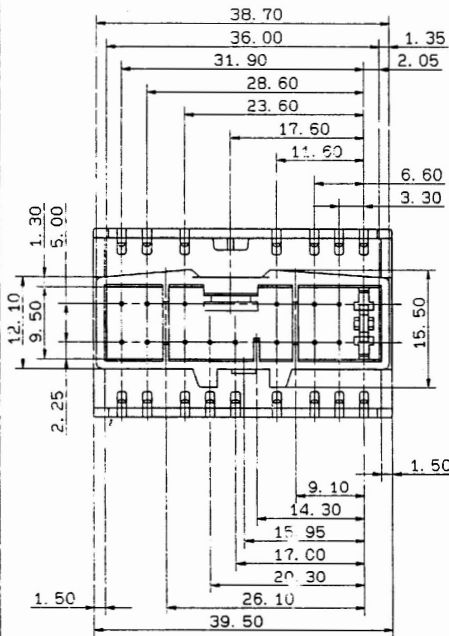


C

B

A



PART NO.	7122-7960	7122-7960-70 (7822-7960-70)	PART NO.	7122-7961-30	PART NO.	7122-7962-80
CUSTOMER PART NO.	C16MW	C16MW-Y	CUSTOMER PART NO.	C16MB	CUSTOMER PART NO.	C16MBR
COLOR	NATURAL	YELLOW	COLOR	BLACK	COLOR	BROWN

NOTES

- 1) MATING HOUSING NO. :7123-7960 etc.
- 2) MATING TERMINAL NO. :7114-1300 etc.
- △ 3) ( )PART NO. IS USED FOR PARTS ASSO-CIATED WITH A/B CIRCUITS OR OTHER SPECIFIED CIRCUIT

注記

- 1) 嵌合相手品番:7123-7960 etc.
- 2) 使用端子品番:7114-1300 etc.
- △ 3) ( )内品番は、エアバック(A/B)回路及び、特別管理回路の使用  
する時に、適用すること。

LET	DATE	REVISION RECORD	NO.	CHKD
△	91.02.15	ADD PART NO.	C91-6318	M. K
△	88.09.23	CHANGED TOLERANCE	BMC-1199	K. A
	86.06.17	NEW	C86-0644	K. A

GENERAL TOLERANCE						
	10MAX	50MAX	100MAX	250MAX	2500VR	ANGLE ECCENT
A	±0.15	±0.2	±0.3	±0.5	±0.75	±30' 0.1
B	±0.2	±0.3	±0.55	±0.95	±1.4	±30' 0.1
◎	±0.3	±0.5	±0.8	±1.4	±2	±30' 0.15
SPECIFIED						WEIGHT

CUSTOMER		MATT. PBT		TREAT. & FIN.	
CUSTOMER PART NO.		CUSTOMER DWG NO.		SPEC.	
C16MW, C16MB, C16MBR				NAME C-TYPE CONNECTOR	
OFFICE		STDLIB NO.		VENDOR	
VENDOR		VENDOR NO.		16PM HOUSING	
DWG TYPE		DWG SOURCE		DWG DATE	
R		NEW		86.06.17	
APPROVED		CHECKED		DESIGN	
道野		11木		渡辺 K.abe	
91.2.20		91.2.18		91.02.15	
UNIT		SCL		ANGLE	
mm		2/1		3	
PART NO.		7122-7960 ETC.		DWG NO.	
				7122-7960:R	
				TRIAL PART NO.	
YAZAKI CORPORATION					

1

2

3

4

5