

1

2

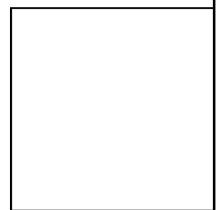
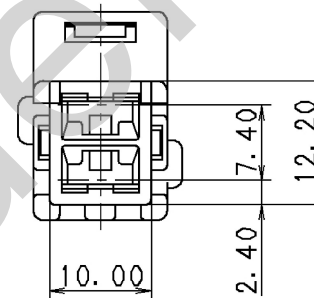
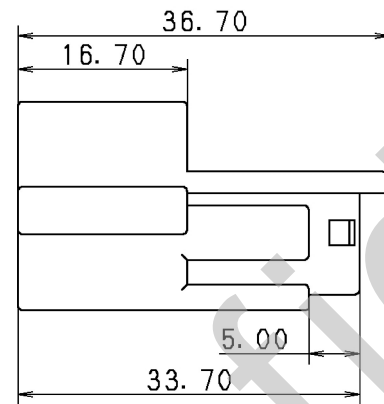
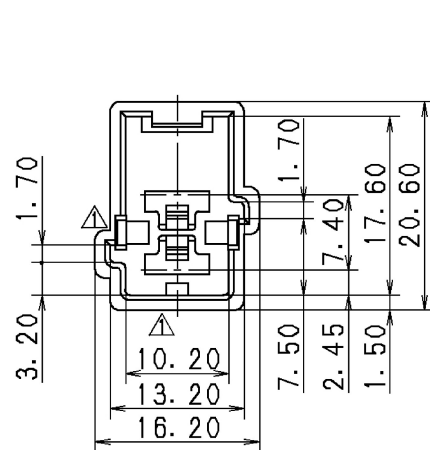
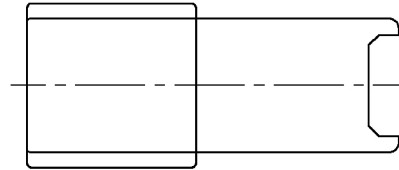
3

注 記

- 1. 適用オスターミナル品番 : 7114-2870 ETC.
- 2. かん合メスハウジング品番 : 7123-6028-80
- 3. 適用リヤホルダ品番 : 7157-6222-80

△ NOTES

- 1. APPLICABLE MALE TERMINAL NO. : 7114-2870 ETC.
- 2. MATING FEMALE HOUSING NO. : 7123-6028-80
- 3. APPLICABLE REAR HOLDER NO. : 7157-6222-80



ISSUE MARK

								CUSTOMER				MATL. SPEC.		TREAT. & FIN.			
								CUSTOMER PART NO.				NYLON 6 (BROWN)					
								CUSTOMER DWG NO.						NAME			
								OFFICE				STDLIB NO.		△ M TYPE HOUSING			
								VENDOR						2P M (BR)			
								VENDOR NO.						PART NO.			
GENERAL TOLERANCE								DWG TYPE		DWG SOURCE		DWG DATE		UNIT		SCL	
10MAX		50MAX		100MAX		250MAX		250OVR		ANGLE		ECCENT		R		RENEW	
A ±0.15		±0.2		±0.3		±0.5		±0.75		±30'		0.1		83.03.04		mm	
B ±0.2		±0.3		±0.55		±0.95		±1.4		±30'		0.1		DESIGN		DRAWN	
C ±0.3		±0.5		±0.8		±1.4		±2		±30'		0.15		S. MIZUSE		R. DE GUZMAN	
SPECIFIED								WEIGHT		11.01.14		11.01.14		83.03.04		11.01.14	
																PART NO. 7122-6028-80	
																DWG NO. △7122-6028-80:R	
																TRIAL PART NO.	
																YAZAKI CORPORATION	

1

2

3

