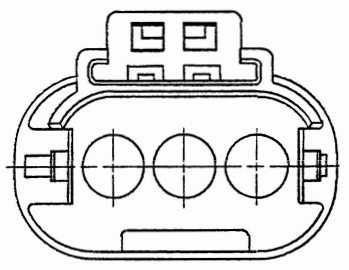
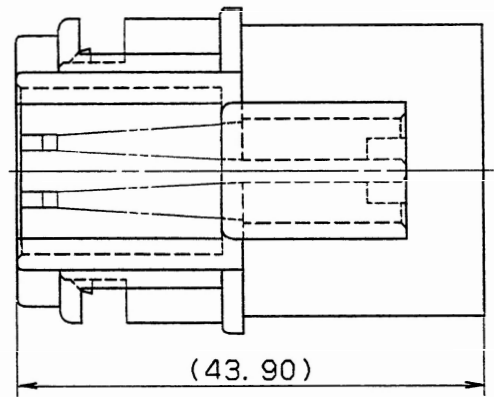
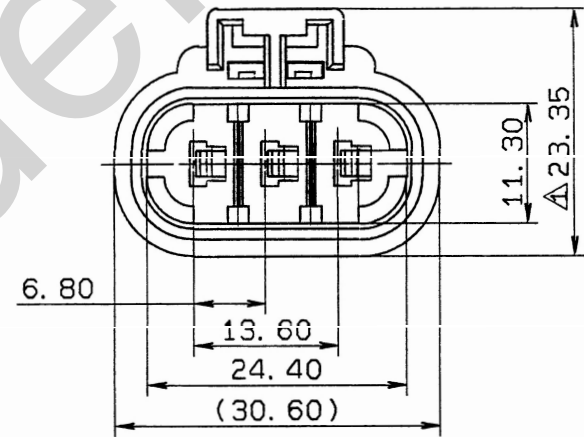
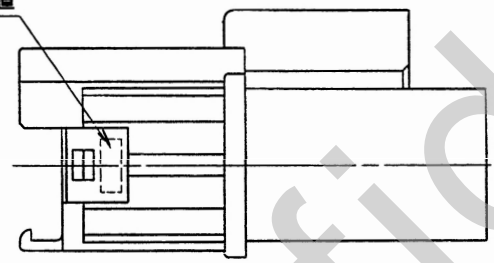


- 注 記
- 1. 適用オスターミナル品番: 7114-1232 ETC.
 - 2. 適用リヤホルダ品番: 7157-6530-30
 - 3. 嵌合メスハウジング品番: 7123-1834-40

- △ NOTES
- 1. APPLICABLE MALE TERMINAL NO. : 7114-1232 ETC.
 - 2. APPLICABLE REAR HOLDER NO. : 7157 6530 30
 - 3. MATING FEMALE HOUSING NO. : 7123-1834-40



STAMPED POSITION
刻印位置



ISSUE MARK

		CUSTOMER		△		MATERIAL		TREAT.							
		CUSTOMER PART NO.		CUSTOMER DWG NO.		SPEC. NYLON 66(GRAY)		& FIN.							
△	90.03.20	RENEW	C90-L036	M. K	OFFICE	△	NAME	△ W TYPE CONNECTOR							
LET	DATE	REVISION RECORD	NO.	CHKD	VENDOR		HOUSING 3PMW								
GENERAL TOLERANCE					VENDOR NO.										
	10MAX	50MAX	100MAX	250MAX	250OVR	ANGLE	ECCENT	DWG TYPE	DWG SOURCE	DWG DATE	UNIT	SCL	ANGLE	PART NO.	
A	±0.15	±0.2	±0.3	±0.5	±0.75	±30'	0.1	R	RENEW	85.06.12	mm	2/1	3	7122-1834-40	
B	±0.2	±0.3	±0.55	±0.95	±1.4	±30'	0.1	APPROVED	CHECKED	CHECKED	DESIGN	DRAWN	DWG NO.	TRIAL PART NO.	
◎	±0.3	±0.5	±0.8	±1.4	±2	±30'	0.15	SAKAI		M. KAI		△7122-1834-40:R			
SPECIFIED							WEIGHT		g		YAZAKI CORPORATION				
								酒井 八木 酒井		85.06.12		90.03.20			