

1

2

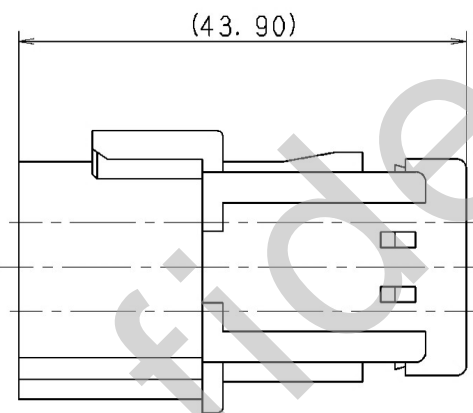
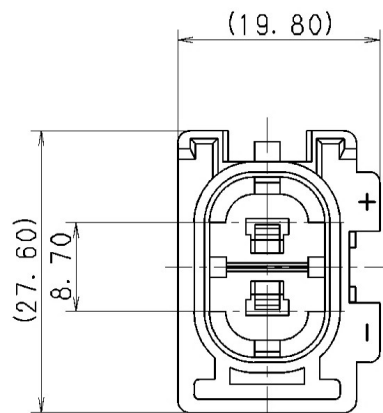
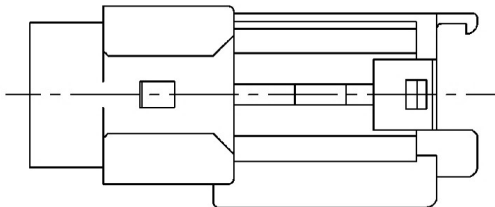
3

注記

- 1. かん合相手品番 : 7123-1823-30
- 2. 適用ターミナル品番 : 7114-1232 ETC.

NOTES

- 1. MATING PART NO. : 7123-1823-30
- 2. APPLICABLE TERMINAL NO. : 7114-1232 ETC.



ISSUE MARK

					CUSTOMER					MATERIAL SPEC. NYLON66 (BLACK)			TREAT. & FIN.		
					CUSTOMER PART NO.					CUSTOMER DWG NO.					
△	10.12.03	CHANGED PART NAME	C10-ZB33	J. C						NAME △ W TYPE HOUSING 2P MALE-B					
	96.11.18	NEW	C96-N086	M. T	OFFICE					TRIAL PART NO.					
LET	DATE	REVISION RECORD	NO.	CHKD	VENDOR										
GENERAL TOLERANCE					VENDOR NO.										
	10MAX	50MAX	100MAX	250MAX	2500VR	ANGLE	ECCENT	DWG TYPE	DWG SOURCE	DWG DATE	UNIT	SCL	ANGLE	PART NO.	
A	±0.15	±0.2	±0.3	±0.5	±0.75	±30'	0.1	R	NEW	96.11.18	mm	2/1	3	7122-1823-30	
B	±0.2	±0.3	±0.55	±0.95	±1.4	±30'	0.1	APPROVED	CHECKED	CHECKED	DESIGN	DRAWN	DWG NO.	7122-1823-30:R	SET DRW NO.
©	±0.3	±0.5	±0.8	±1.4	±2	±30'	0.15	S. MIZUSE		R. CABANGAL	SAKAI	J. CANDU	YAZAKI CORPORATION		
SPECIFIED					MASS					10.12.03			85.12.05 10.12.03		

1

2

3

