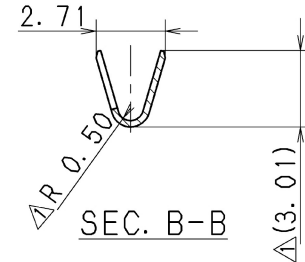
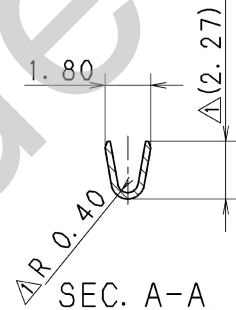
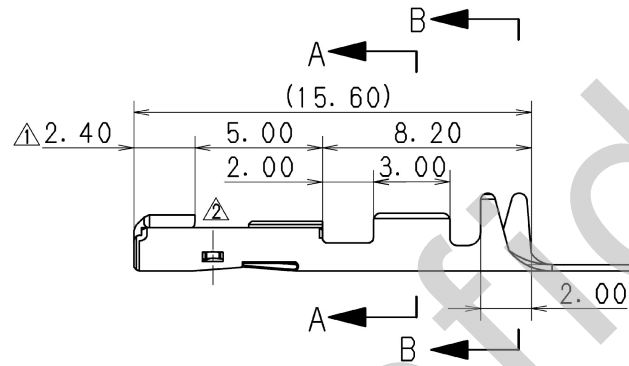
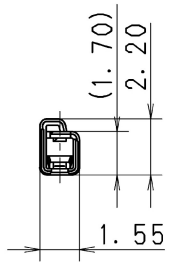
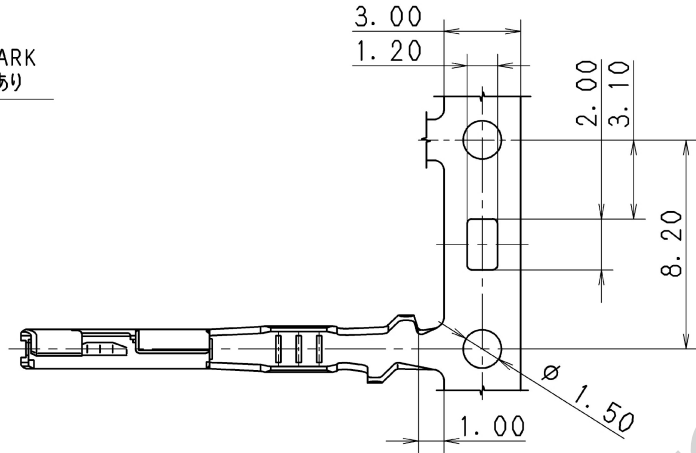


△ VIEW C



PART NO.	TREATMENT
△ 7116-4660-08	GOLD PLATING TIN PLATING
7116-4660-02	TIN PLATING
△ 7116-6520-02	TIN PLATING △ (LOW INSERTION FORCE TYPE)

注記

- 1) 相手端子品番 : 7114-4660-02 ETC.
- △ 2) 適用電線サイズ : CAVS 0.3~0.5
ただし防水コネクタに使用する場合はハウジング品番により
適用電線サイズが異なる為、ハウジング仕様を確認すること。

NOTES

- 1) MATING PART NO. : 7114-4660-02 ETC.
- △ 2) APPLICABLE WIRE SIZE : CAVS 0.3~0.5,
HOWEVER, IN CASE OF USING IT IN SEALED
CONNECTOR, HOUSING SPECIFICATION MUST
BE CONFIRMED BECAUSE APPLICABLE WIRE
SIZE DIFFERS DEPENDING ON HOUSING PART NO.

△	11/02/09	ADDED NOTES	C11-Z102	K. I
△	10/11/26	CHANGED NOTES	C10-Z714	T. K
△	09/08/18	ADDED PART NO. ETC.	C09-P361	H. S
△	04/12/07	CHANGED NOTES	C04-ZF28	E. S
△	01/10/15	ADDED PART NO.	C01-Y056	S. K
△	00/05/16	CHANGED FORM	C00-L657	M. Y
△	99/11/10	CHANGED FORM	C99-7305	N. S
△	99/10/26	NEW	C99-M631	M. Y
LET	DATE	REVISION RECORD	NO.	CHKD

CUSTOMER		MATL. COPPER ALLOY	TREAT. SEE TABLE
CUSTOMER PART NO.		SPEC. (t=0.25)	& FIN.
OFFICE		NAME 0.64 TERMINAL FEMALE	
VENDOR		TRIAL PART NO.	
VENDOR NO.		PART NO. △ 7116-4660-02 ETC.	

GENERAL TOLERANCE					ECCENT	DWG TYPE	DWG SOURCE	DWG DATE	UNIT	SCL	ANGLE		
10MAX	50MAX	100MAX	250MAX	250OVR									
A	±0.15	±0.2	±0.3	±0.5	±0.75	±30'	0.1	R	NEW	99/10/26	mm	5:1	3
B	±0.2	±0.3	±0.55	±0.95	±1.4	±30'	0.1	APPROVED	CHECKED	CHECKED	DESIGN	DRAWN	
③	±0.3	±0.5	±0.8	±1.4	±2	±30'	0.15	H. KONDO	K. SUZUKI	K. IKEYA	YAMAMOTO	J. CANDO	
SPECIFIED					MASS			11/02/09	11/02/09	11/02/09	98/08/03	11/02/09	

DWG NO. 7116-4660-02:R		SET DWG NO.
YAZAKI CORPORATION		

ISSUE MARK