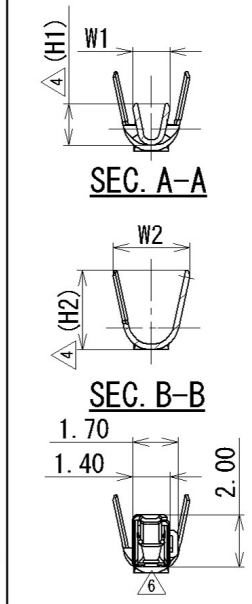
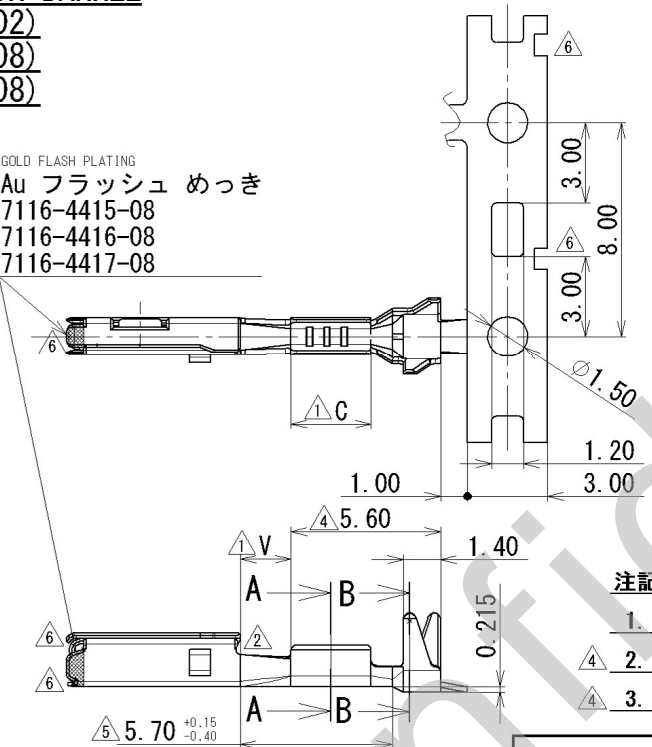


2 **DETAIL OF CONDUCTOR BARREL**
 (7116-4417-02)
 3 (7116-4417-08)
 4 (7116-4489-08)



3 GOLD FLASH PLATING
 Au フラッシュ めっき
 7116-4415-08
 7116-4416-08
 7116-4417-08



4 TABLE 1

WIRE CRIMP SIZE	PART NO. AND CH. CODE	C	V	W1	W2	H1	H2
S	7116-4415-02, (C) 2 ETC.	3.0	1.9	1.49	2.82	1.82	2.84
M	7116-4416-02, (C) 2 4(7B16-4416-02, (C)) ETC.	3.0	1.9	1.82	2.94	2.20	3.13
L	7116-4417-02, (C) 2 ETC.	2 SEE DWG	1.65	1.96	3.10	2.55	3.53

APPLICABLE WIRE SIZE (INSULATION DIAMETER: $\phi 0.91 \sim \phi 1.90$)
3 (JASO) 0.3 3 (ISO) 0.22~0.35
3 (JASO) 0.5 3 (ISO) 0.5
3 (JASO) 0.85 3 (ISO) 0.75

4 GOLD FLASH PLATING
 Au フラッシュ めっき
 7116-4487-08
 7116-4488-08
 7116-4489-08

4 TABLE 2

SIZE	PART NO.	PLATING
S	7116-4415-02, (C)	Sn
	7116-4415-08, (C)	Au (0.38 μ m)
	7116-4487-08, (C)	Au (1.27 μ m)
M	7116-4416-02, (C) (7B16-4416-02, (C))	Sn
	7116-4416-08, (C)	Au (0.38 μ m)
	7116-4488-08, (C)	Au (1.27 μ m)
L	7116-4417-02, (C)	Sn
	7116-4417-08, (C)	Au (0.38 μ m)
	7116-4489-08, (C)	Au (1.27 μ m)

NOTES

1. MALE TERMINAL PART NO. : 7114-4415-02, -4416-02, -4417-02
2. APPLICABLE WIRE SEAL PART NO. : 7158-3165-90, -3166-60, -3167-80, -3168-80, -3182-20
3. PART NUMBERS IN PARENTHESIS SHALL BE USED FOR AIR BAG(A/B) CIRCUITS AND OTHER CIRCUITS DESIGNATED FOR SPECIAL CONTROL.

注記

1. かん合端子品番 : 7114-4415-02, -4416-02, -4417-02
2. 適用ゴム栓品番 : 7158-3165-90, -3166-60, -3167-80, -3168-80, -3182-20
3. ()内の品番はA/B回路及び特別管理回路に使用すること。

DATE	REVISION RECORD	NO.	CHKD
2015/11/25	CHANGED DIMENSION	C15-Z542	S. P
2006/03/30	CHANGE FORM, ETC., (C)	C06-Z314	S. K
2004/11/22	ADDED TOLERANCE	C04-ZF29	Y. I
2003/12/11	ADDED GOLD PLATING ETC., (A)	C03-X787	H. Y
2002/09/23	ADDED PART NO. ETC.	C02-Y003	H. Y
2002/06/05	REVISED FORM, ETC., (A)	C02-X502	T. Y
2001/10/30	CHANGED DIMENSION	C01-Y113	H. Y
2001/09/04	NEW	C01-X871	H. Y

6 GENERAL TOLERANCE											
	10 MAX	50 MAX	100 MAX	250 MAX	250 OVR	R5 MAX	R10 MAX	R20 MAX	R20 OVR	ANGLE	ECCENT
A	± 0.15	± 0.2	± 0.3	± 0.5	± 0.75	± 0.2	± 0.3	± 0.5	± 2.5	$\pm 3^\circ$	0.1
B	± 0.2	± 0.3	± 0.55	± 0.95	± 1.4					$\pm 3^\circ$	0.1
C	± 0.3	± 0.5	± 0.8	± 1.4	± 2					$\pm 3^\circ$	0.15

GENERAL TOLERANCE						
	IOMAX	50MAX	100MAX	250MAX	250OVR	ANGLE
A	± 0.15	± 0.2	± 0.3	± 0.5	± 0.75	$\pm 30'$
B	± 0.2	± 0.3	± 0.55	± 0.95	± 1.4	$\pm 30'$
C	± 0.3	± 0.5	± 0.8	± 1.4	± 2	$\pm 30'$

CUSTOMER	CUSTOMER PART NO.	CUSTOMER DWG NO.
OFFICE	TRIAL PART NO.	
VENDOR		
VENDOR NO.	DWG TYPE	DWG SOURCE
	R	NEW
	DWG DATE	UNIT
	2001/09/04	mm
	SCL	ANGLE
	5:1	3
APPROVED	CHECKED	CHECKED
T. YAMAWAKI		
2015/11/25		
	DESIGN	DRAWN
	MURAKAMI YOSHIDA	S. PEREZ
	2001/08/06	2015/11/25

MATL. SPEC.	COPPER ALLOY (t=0.2)	TREAT. & FIN.	SEE TABLE 2
NAME	RH TYPE TERMINAL FEMALE		
PART NO. CH. CODE	7116-4415-02 ETC.		
DWG NO.	7116-4415-02:R	SET DRW NO.	
YAZAKI CORPORATION			