

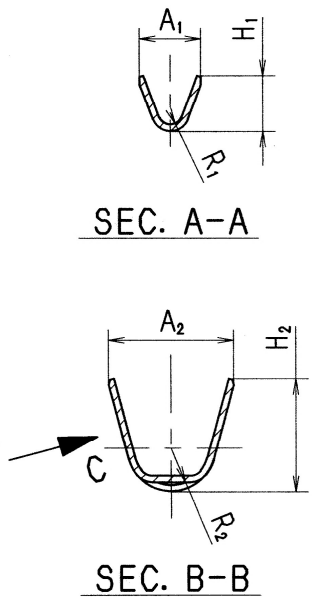
△GENERAL TOLERANCE											PART NO. AND CH. CODE		A ₁	A ₂	R ₁	R ₂	H ₁	H ₂	△M	WIRE SIZE (mm ²)							
A	±0.15	±0.2	±0.3	±0.5	±0.75	±0.2	±0.3	±0.5	±2.5	±3°	0.1	7116-4102-08.回 △(7B16-4102-08.回)	2.30	4.75	0.45	1.45	(2.30)	(4.25)	0.55	△0.3 ~ 0.5 EQUIVALENT							
B	±0.2	±0.3	±0.55	±0.95	±1.4					±3°	0.1									7116-4103-08.回	3.00	4.90	△0.60	(2.95)	(4.40)	0.70	△0.6 ~ 1.25 EQUIVALENT
C	±0.3	±0.5	±0.8	±1.4	±2					±3°	0.15																

APPLICABLE WIRE SIZE MARK

7116-4103-08

7116-4102-08
△(7B16-4102-08)

VIEW C



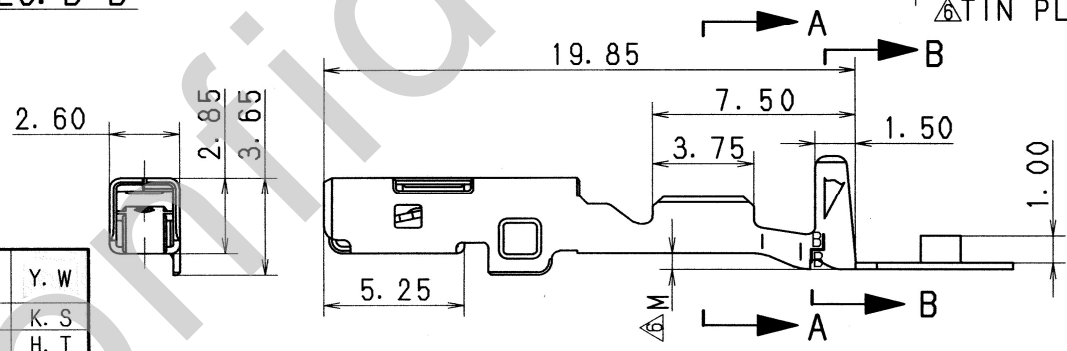
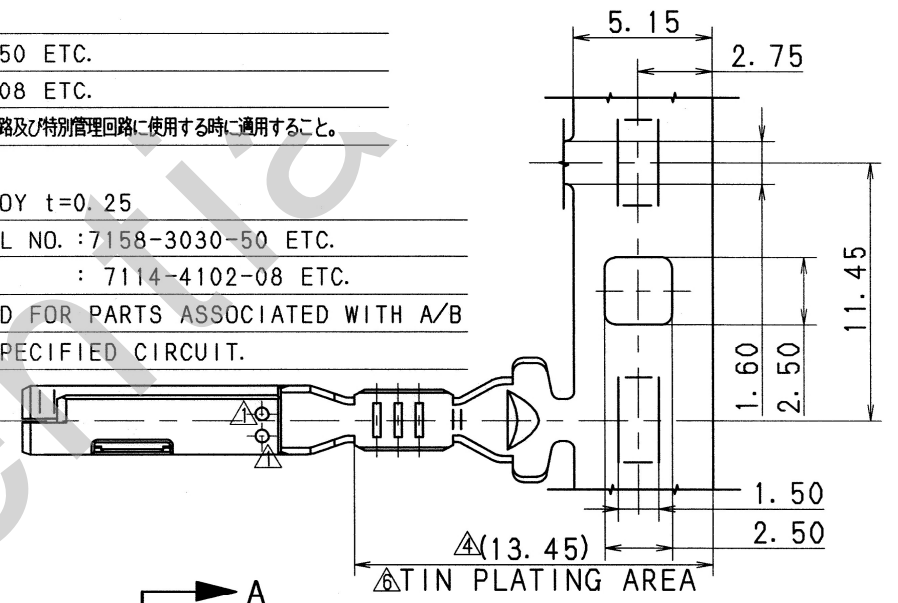
注記

1. 材質:銅合金 t=0.25
2. 適用ゴム栓品番 : 7158-3030-50 ETC.
3. 嵌合相手端子品番: 7114-4102-08 ETC.

△4. () 内品番は、エアバッグ (A/B) 回路及び特別管理回路に使用する時に適用すること。

NOTES

1. MATERIAL: COPPER ALLOY t=0.25
2. APPLICABLE WIRE SEAL NO. : 7158-3030-50 ETC.
3. MATING TERMINAL NO. : 7114-4102-08 ETC.
- △4. () PART NO. IS USED FOR PARTS ASSOCIATED WITH A/B CIRCUITS OR OTHER SPECIFIED CIRCUIT.



△	05/12/14	DELETED SOLDER PLATING INSTRUCTION, ETC.	C05-ZG57	Y. W
△	05/02/09	ADDED A/B PART NO., ETC.	C05-Z309	K. S
△	03/09/19	ADDED DIMENSION.回	C03-X584	H. T
△	03/07/10	CHANGED WIRE SIZE	C03-X450	K. O
△	99/06/15	CORRECT ALL ERRORS.△	C99-L931	H. O
△	98/09/06	CHANGED FORM	C98-M209	Y. T
△	96/01/25	NEW	C96-6051	Y. T
LET	DATE	REVISION RECORD	NO.	CHKD

GENERAL TOLERANCE							
	10MAX	50MAX	100MAX	250MAX	2500VR	ANGLE	ECCENT
A	±0.15	±0.2	±0.3	±0.5	±0.75	±30'	0.1
B	±0.2	±0.3	±0.55	±0.95	±1.4	±30'	0.1
C	±0.3	±0.5	±0.8	±1.4	±2	±30'	0.15
SPECIFIED						MASS	g

CUSTOMER		
CUSTOMER PART NO.		CUSTOMER DWG NO.
OFFICE		TRIAL PART NO.
VENDOR		
VENDOR NO.		
DWG TYPE	DWG SOURCE	DWG DATE
R	NEW	96/01/25
UNIT	SCL	ANGLE
mm	5:1	3
DESIGN	DRAWN	
Y. TOMITA	O. DAR	
05.12.22	05.12.22	05.12.21
96/01/25	05/12/14	

MATL. SPEC.	SEE NOTES	TREAT. & FIN.
NAME 1.5 SYSTEM SEALED CONNECTOR FEMALE TERMINAL (GOLD PLATED)		
PART NO. CH. CODE	7116-4102-08 ETC.	
DWG NO.	7116-4102-08:R	SET DWG NO.
YAZAKI CORPORATION		