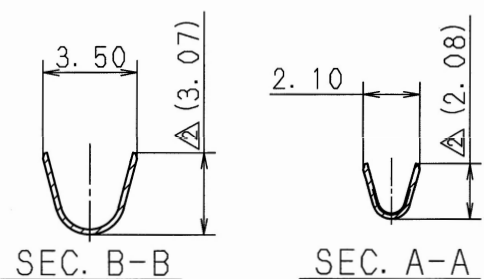
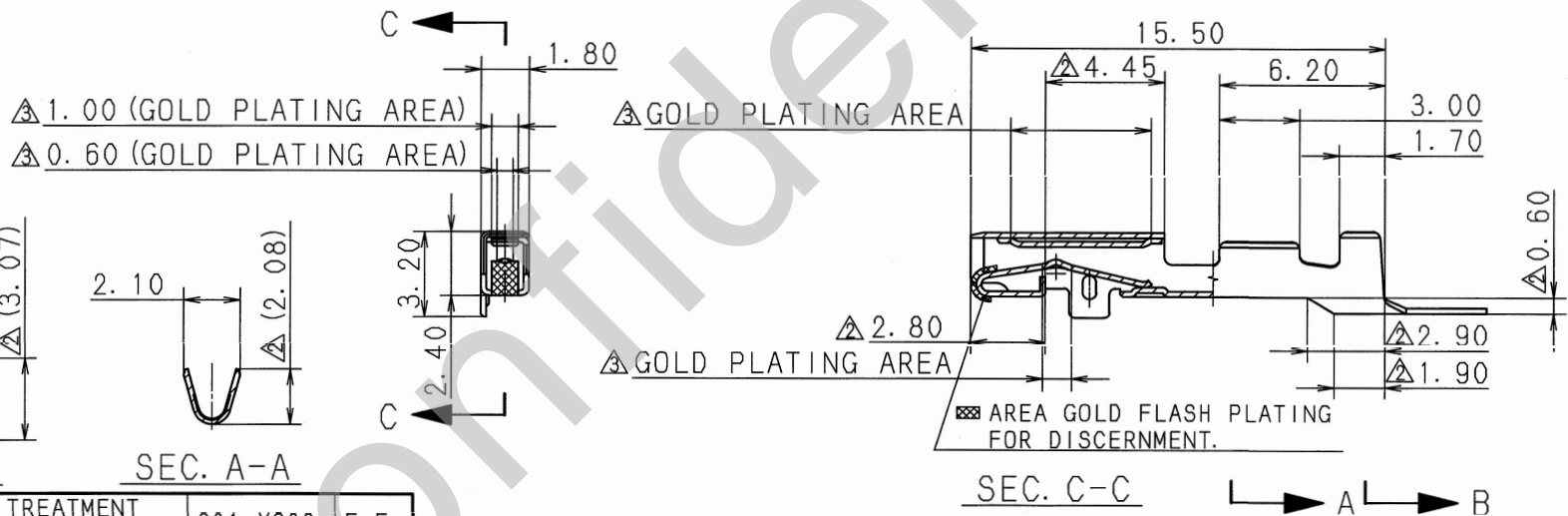
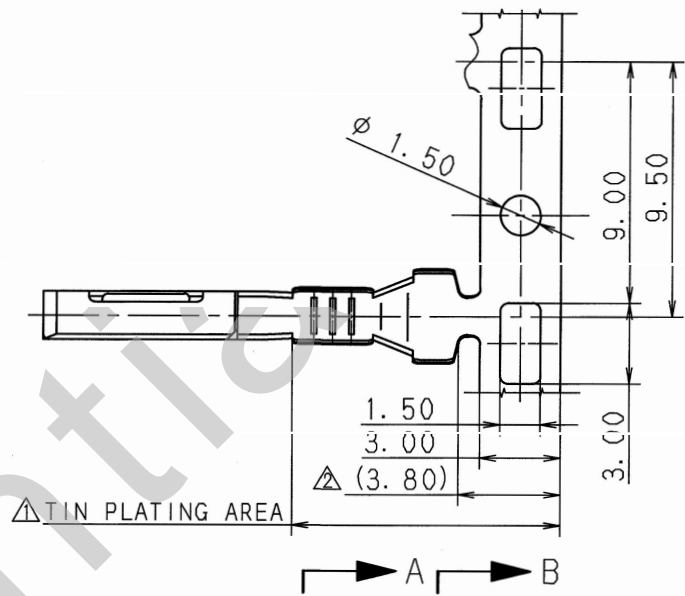


注記

- △ 1. 材質 : C5210 t=0.20
- △ 仕様 : 金めっき
- △ 錫めっき
- 2. 嵌合相手品番 : 7114-4060-08
- 3. 適用電線サイズ : CAVS 0.3, CAVS 0.5, AVS 0.3
- △ 4. 適用ゴム栓品番 : 7158-3040-60

NOTES

- △ 1. MATERIAL : C5210 t=0.20
- △ TREATMENT : GOLD PLATING
- △ TIN PLATING
- 2. MATING PART NO. : 7114-4060-08
- 3. APPLICABLE WIRE SIZE : CAVS 0.3, CAVS 0.5, AVS 0.3
- △ 4. APPLICABLE RUBBER STOPPER NO. : 7158-3040-60



△	01.10.24	CHANGED TREATMENT & PART NAME. □	C01-X908	E. F							ISSUE MARK			
△	98.08.04	CHANGED DIMENSION & NOTES	C97-N450	H. K	CUSTOMER		CUSTOMER DWG NO.		MATL. SPEC.		SEE NOTES		TREAT. & FIN.	
△	97.09.12	CHANGED PLATING. □	C97-M928	H. K	CUSTOMER PART NO.				NAME		050 SEALED TERMINAL FEMALE			
	93.08.16	NEW	C93-L872	H. F	OFFICE		TRIAL PART NO.		△		(GOLD PLATING)			
LET	DATE	REVISION RECORD	NO.	CHKD	VENDOR									
GENERAL TOLERANCE					VENDOR NO.									
	10MAX	50MAX	100MAX	250MAX	250QVR	ANGLE	ECCENT	DWG TYPE	DWG SOURCE	DWG DATE	UNIT	SCL	ANGLE	PART NO.
A	±0.15	±0.2	±0.3	±0.5	±0.75	±30'	0.1	R	NEW	93.08.16	mm	5/1	3	7116-4060-08, □
B	±0.2	±0.3	±0.55	±0.95	±1.4	±30'	0.1	APPROVED	CHECKED	CHECKED	DESIGN	DRAWN	DWG NO.	7116-4060-08:R
③	±0.3	±0.5	±0.8	±1.4	±2	±30'	0.15	S. KODAMA		ISHIJIMA		SET DWG NO.		
SPECIFIED					MASS		9		101.11.01		01.10.31		91.10.04 01.10.24	
													YAZAKI CORPORATION	