

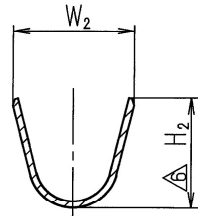
PART NO. AND CH. CODE	W <sub>1</sub> ±0.4	W <sub>2</sub> ±0.4	△ H <sub>1</sub>	△ H <sub>2</sub>	A	B	WIRE SIZE
7116-4052-08, □ (7B16-4052-08, □)	2.30	3.60	(2.19)	(3.19)	3.00	6.20	AVSS 0.3~AVS 0.5 EQUIVALENT
7116-4053-08, □ (7B16-4053-08, □)	3.00	4.50	(2.91)	(3.89)	4.00	7.20	AVS 0.5~AVS 1.25 EQUIVALENT

注記

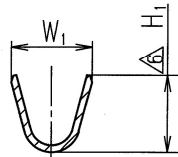
- △ 1. 嵌合相手品番: 7114-4052-08 ETC. (7B14-4052-08 ETC.)
- △ 2. 材質: C2600 t=0.25  
如理: ニッケル下地めっき  
△ 金めっき  
金フラッシュめっき  
△ 錫めっき
- △ 3. ( ) 内品番は、エアバッグ(A/B)回路及び別管理回路に使用する時に適用すること。

NOTES

- △ 1. MATING PART NO.: 7114-4052-08 ETC.  
(7B14-4052-08 ETC.)
- △ 2. MATERIAL: C2600 t=0.25  
TREATMENT: NICKEL UNDER PLATING  
△ GOLD PLATING  
GOLD FLASH PLATING  
△ TIN PLATING
- △ 3. PART NUMBERS IN PARENTHESIS SHALL BE USED FOR AIR BAG (A/B) CIRCUITS AND OTHER CIRCUITS DESIGNATED FOR SPECIAL MONITORING.

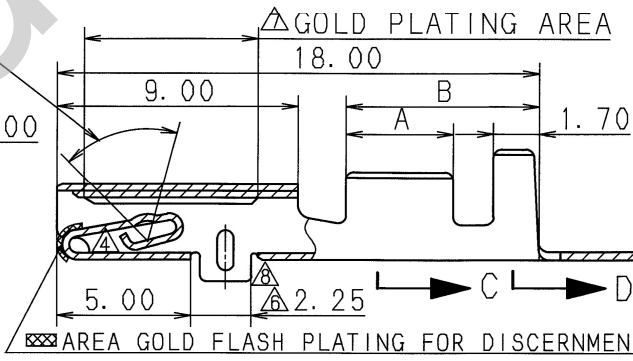
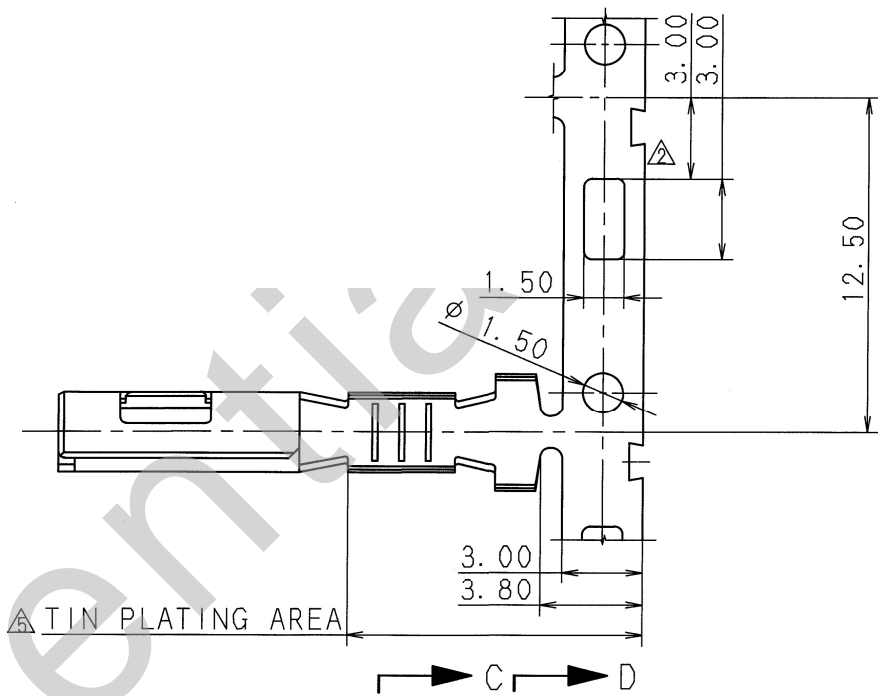
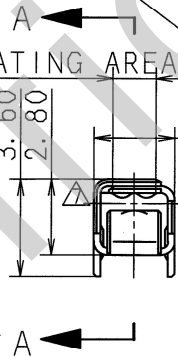


SEC. D-D



SEC. C-C

△ GOLD PLATING AREA



SEC. A-A

△	01.06.07	CHANGED PART NAME & FORM, □	C01-X545	A. T
△	01.01.29	CHANGED PLATING, □	C01-X033	E. F
△	98.07.18	CHANGED NOTE & DIMENSION	C97-N454	H. K
△	97.09.12	CHANGED PLATING, □	C97-M928	H. K
△	97.07.01	CHANGED FORM, □	C97-M318	H. K
△	96.01.19	ADDED A/B PART NO., □	C96-L133	M. T
△	93.08.18	CHANGED FORM	C93-L882	H. F
△	92.03.12	CORRECTED AN ERROR IN WRITING	C92-6321	H. K
△	92.03.10	NEW	C92-6279	H. K
LET	DATE	REVISION RECORD	NO.	CHKD

GENERAL TOLERANCE							
	10MAX	50MAX	100MAX	250MAX	2500VR	ANGLE	ECCENT
A	±0.15	±0.2	±0.3	±0.5	±0.75	±30'	0.1
B	±0.2	±0.3	±0.55	±0.95	±1.4	±30'	0.1
◎	±0.3	±0.5	±0.8	±1.4	±2	±30'	0.15
SPECIFIED							MASS
							g

CUSTOMER		MATERIAL SPEC.		TREAT. & FIN.	
CUSTOMER PART NO.		SEE NOTES		SEE NOTES	
CUSTOMER DWG NO.		NAME △ 2.3II (090II) TERMINAL FEMALE		△ (GOLD PLATING)	
OFFICE		TRIAL PART NO.		PART NO. △ 7116-4052-08 ETC. (7B16-4052-08 ETC.)	
VENDOR		APPROVED		DWG NO. 7116-4052-08:R	
VENDOR NO.		CHECKED		SET DWG NO.	
DWG TYPE R		CHECKED		YAZAKI CORPORATION	
DWG SOURCE NEW		DESIGN		01.06.14	
DWG DATE 92.03.03		DRAWN		01.06.12	
UNIT mm		A. MAEDA		01.06.11	
SCL 5/1		OHKUBO		90.10.18	
ANGLE 3		杉山じ		01.06.07	

ISSUE MARK