

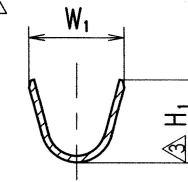
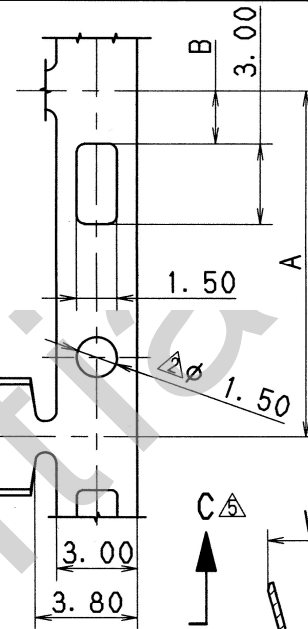
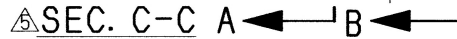
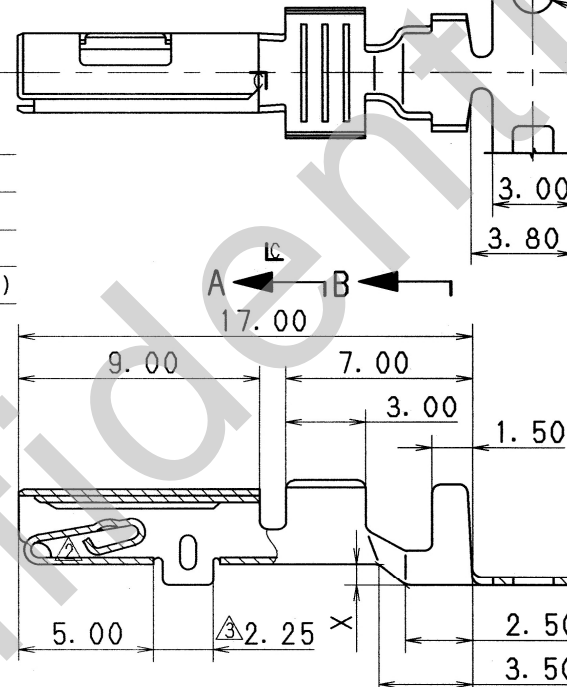
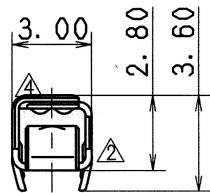
PART NO. AND CH. CODE	$\Delta W_1 \pm 0.4$	$\Delta W_2 \pm 0.4$	ΔH_1	ΔH_2	X	A	B	WIRE SIZE
7116-4025. <input type="checkbox"/> Δ (7B16-4025 <input type="checkbox"/>)	2.30	5.20	(2.19)	(4.21)	0.50	12.50	3.00	AVS 0.3~AVS 0.5 EQUIVALENT
7116-4026. <input type="checkbox"/> Δ (7B16-4026 <input type="checkbox"/>)	3.00	5.30	(2.91)	(4.08)	0.80	12.50	3.00	AVS 0.5~AVS 1.25 EQUIVALENT
7116-4027. <input type="checkbox"/> Δ (7B16-4027 <input type="checkbox"/>)	4.20	6.00	(4.06)	(5.09)	1.00	13.00	2.00	AVSS 2 EQUIVALENT

注記

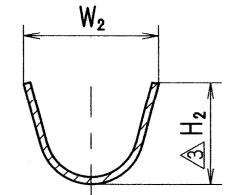
- Δ 1. () 内品番は、エアバック回路及び
特別管理回路に使用する時に適用すること。
- Δ 2. 適用ゴム栓品番： 7158-3006-90 ETC.
- Δ 3. 嵌合オスターミナル： 7114-4025 ETC. (7B14-4025 ETC.)

NOTES

- Δ 1. PART NUMBERS IN PARENTHESIS SHALL BE USED FOR
AIR BAG (A/B) CIRCUITS AND OTHER CIRCUITS
DESIGNATED FOR SPECIAL MONITORING.
- Δ 2. APPLICABLE RUBBER STOPPER NO. : 7158-3006-90 ETC.
- Δ 3. MATING MALE TERMINAL : 7114-4025 ETC. (7B14-4025 ETC.)



SEC. A-A



SEC. B-B

Δ 05/11/10	CHANGED PART NAME, ETC.	C05-ZF20	T. O
Δ 00/11/08	CHANGED FORM & DIMENSION	C00-M342	Y. S
Δ 98/07/14	ADDED DIMENSION	C97-N456	H. K
Δ 97/05/26	CHANGED FORM & ADDED A/B PART NO. <input type="checkbox"/>	C97-L981	S. S
Δ 96/01/09	CHANGED DIMENSION	C95-M905	T. M
88/07/18	NEW	8MC-0809	Y. S
LET	DATE	REVISION RECORD NO.	CHKD

GENERAL TOLERANCE

	10MAX	50MAX	100MAX	250MAX	2500VR	ANGLE	ECCENT	
A	± 0.15	± 0.2	± 0.3	± 0.5	± 0.75	$\pm 30'$	0.1	
B	± 0.2	± 0.3	± 0.55	± 0.95	± 1.4	$\pm 30'$	0.1	
$\text{\textcircled{C}}$	± 0.3	± 0.5	± 0.8	± 1.4	± 2	$\pm 30'$	0.15	
SPECIFIED							MASS	g

CUSTOMER		MATERIAL		TREAT.	
CUSTOMER PART NO.	CUSTOMER DWG NO.	COPPER ALLOY	TIN PLATING		
		SPEC. (t=0.25)	& FIN.		
OFFICE		NAME Δ 2.3II SEALED TERMINAL			
VENDOR		FEMALE			
VENDOR NO.		PART NO. 7116-4025 ETC. (7B16-4025 ETC.) Δ			
DWG TYPE	DWG SOURCE	DWG DATE	UNIT	SCL	ANGLE
R	NEW	88/07/12	mm	5:1	3
APPROVED	CHECKED	CHECKED	DESIGN	DRAWN	
<i>(Signature)</i>	<i>(Signature)</i>	<i>(Signature)</i>	M. TSUJI	O. DAR	
05-11-25	05.11.24	05.11.23	05/11/10	KOMEL GALIZA	
		87/08/26	05/11/10		

ISSUE MARK	
PART NO. 7116-4025 ETC. (7B16-4025 ETC.) Δ	
DWG NO. 7116-4025:R SET DWG NO.	
YAZAKI CORPORATION	