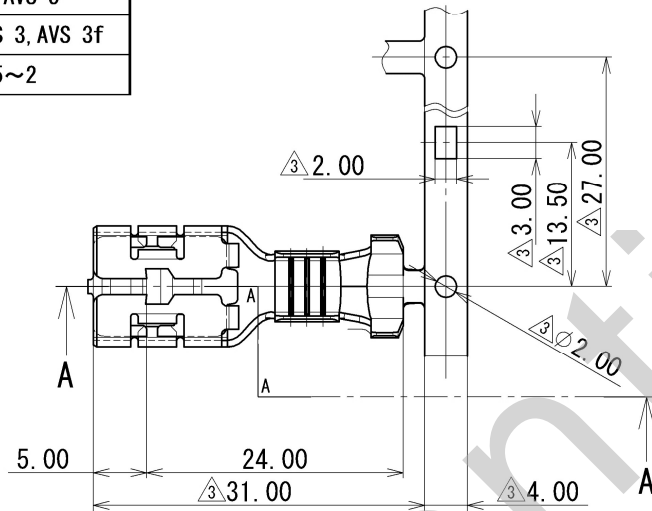


PART NO. AND CH. CODE	W <sub>1</sub>	H <sub>1</sub>	W <sub>2</sub>	H <sub>2</sub>	APPLICABLE WIRE SIZE
7116-3250	6.60	(7.20)	9.60	(9.80)	△ AV 5~8, AVS 5
7116-3251	4.80	(5.20)	7.20	(8.80)	△ AV 3, AVS 3, AVS 3f
7116-3252	4.00	(4.30)	7.20	(8.80)	FLW 0.85~2

YAZAKI PART NO. AND CH. CODE	NO.	MATERIAL
7116-3250 ETC.	-	COPPER ALLOY (t=0.60) TIN PLATING
7157-7270	①	STAINLESS STEEL (t=0.30)

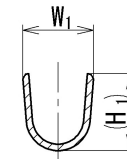
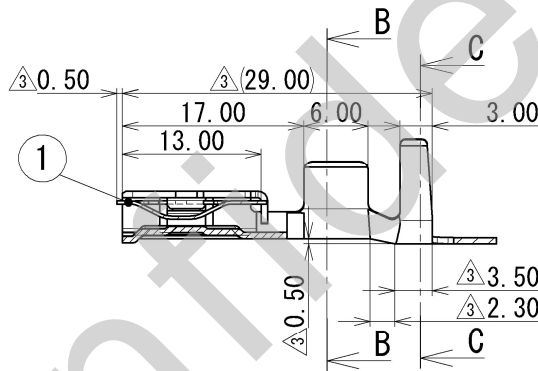
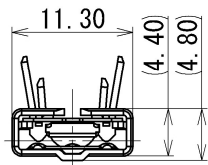


注記

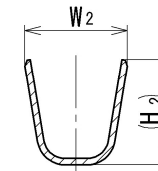
1. かん合オスターミナルNO.: 7114-3250 ETC.

NOTE

1. MATING MALE TERMINAL NO.: 7114-3250 ETC.



SEC. B-B



SEC. C-C

SEC. A-A

REV.	DATE	REVISION RECORD	NO.	CHKD
⑤	2018/09/25	DELETED PART NO., ETC.	C18-P326	Y. M
④	2016/08/04	CHANGED APPLICABLE WIRE SIZE, ETC.	C16-Z607	A. Q
③	2006/02/27	ADDED PART NO., ETC.	C06-Z227	K. U
②	1996/08/07	CHANGED DIMENSION	C96-6845	H. K
①	1993/11/08	CHANGED DWG. NO, ETC.	C93-7089	Y. I
	1988/03/16	NEW	8MC-4033	M. Y

CUSTOMER	CUSTOMER PART NO.	CUSTOMER DWG NO.
OFFICE	TRIAL PART NO.	
VENDOR	VENDOR NO.	

MATL. SPEC.	SEE TABLE	TREAT. & FIN.	SEE TABLE
NAME	△ L TYPE FEMALE TERMINAL		

GENERAL TOLERANCE							
	10MAX	50MAX	100MAX	250MAX	2500VR	ANGLE	ECCENT
A	±0.15	±0.2	±0.3	±0.5	±0.75	±30'	0.1
B	±0.2	±0.3	±0.55	±0.95	±1.4	±30'	0.1
③	±0.3	±0.5	±0.8	±1.4	±2	±30'	0.15
SPECIFIED	MASS						△ (3.5) g

DWG TYPE	DWG SOURCE	DWG DATE	UNIT	SCL	ANGLE
R	NEW	1988/03/16	mm	2:1	3
APPROVED	CHECKED	CHECKED	DESIGN	DRAWN	
M. NAKAMURA			INABA	Y. MAEDA	
2018/09/25			1982/08/13	2018/09/25	

PART NO. CH. CODE	7116-3250 ETC.	
DWG NO.	△ 7116-3250:R	SET DWG NO.
YAZAKI CORPORATION		