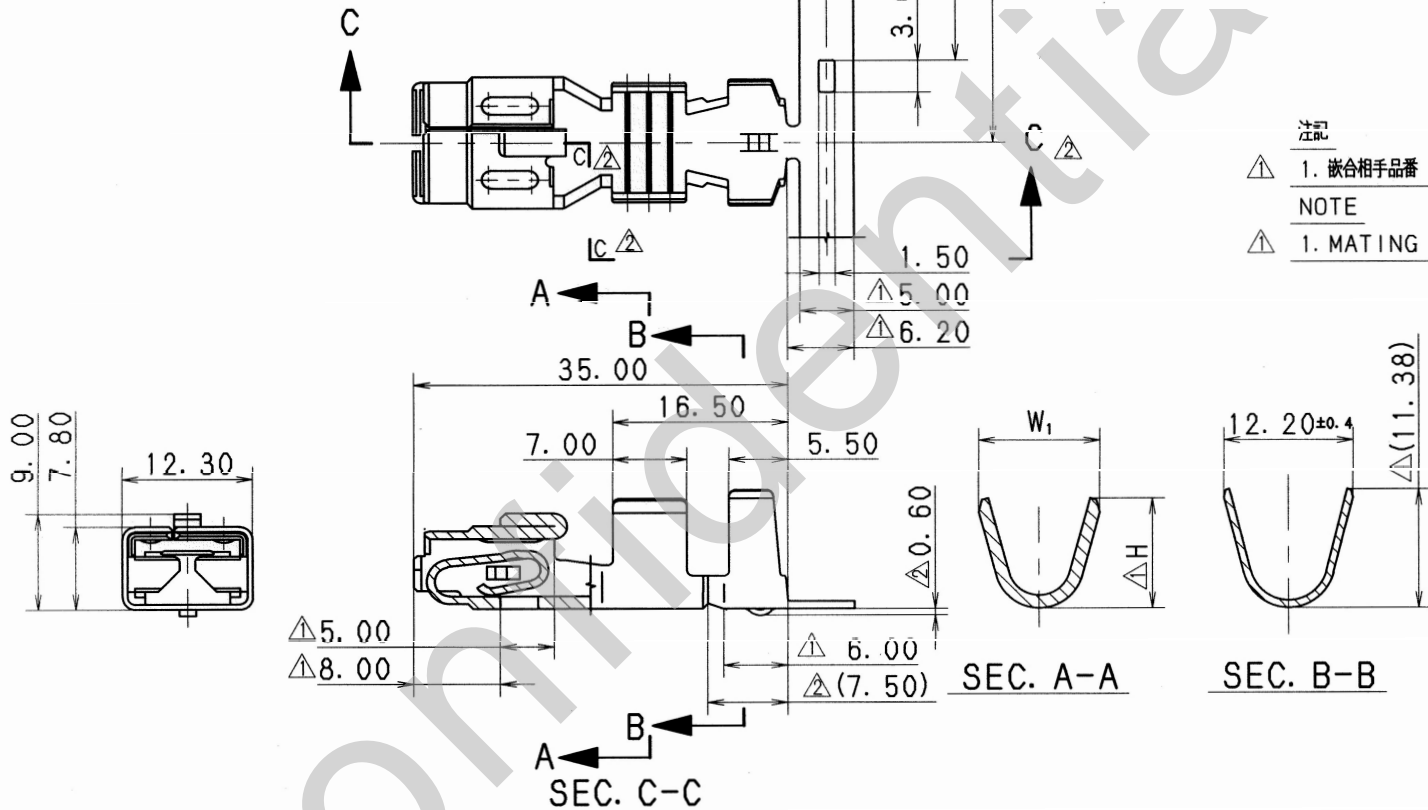


PART NO. AND CH. CODE	W <sub>1</sub> ±0.4	△ H	WIRE SIZE
△7116-3094-02. ▢	8.55	(8.96)	AVS 5 ~AV 8 EQUIVALENT
7116-3095-02. ▢	11.20	(10.73)	AV 8 ~AV 15 EQUIVALENT



注記  
 △ 1. 嵌合相手品番 : 7114-3095-02  
 NOTE  
 △ 1. MATING PART NO. : 7114-3095-02

ISSUE MARK

△ 05/11/28	CHANGED PART NAME, ETC.	C05-ZF36	T. O	CUSTOMER	MATL. △ COPPER ALLOY	TREAT. TIN PLATING
△ 98/07/18	ADDED NOTES, PART NO. & CHANGED DIMENSION	C97-N468	H. K	CUSTOMER PART NO.	SPEC. (t=0.7/1.2)	& FIN.
96/12/12	NEW. ▢	C96-L663	M. T	OFFICE	NAME △ 9.5 TERMINAL FEMALE	
LET	DATE	REVISION RECORD NO.	CHKD	VENDOR		
GENERAL TOLERANCE				VENDOR NO		
	10MAX	50MAX	100MAX	250MAX	2500VR	ANGLE
A	±0.15	±0.2	±0.3	±0.5	±0.75	±30'
B	±0.2	±0.3	±0.55	±0.95	±1.4	±30'
◎	±0.3	±0.5	±0.8	±1.4	±2	±30'
SPECIFIED				MASS		
				g		
DWG TYPE		DWG SOURCE		DWG DATE	UNIT	SCL
R		NEW		96/12/12	mm	2:1
APPROVED		CHECKED	CHECKED	DESIGN	DRAWN	
Y. SAWADA		田口	室長	Y. SAWADA	F. QUINQUILERIA	
96/12/12		05.12.06	05/12/05	96/12/12	05/11/28	
PART NO. △ 7116-3095-02 ETC.					DWG NO. 7116-3095-02:R	
YAZAKI CORPORATION					SET DWG NO.	

