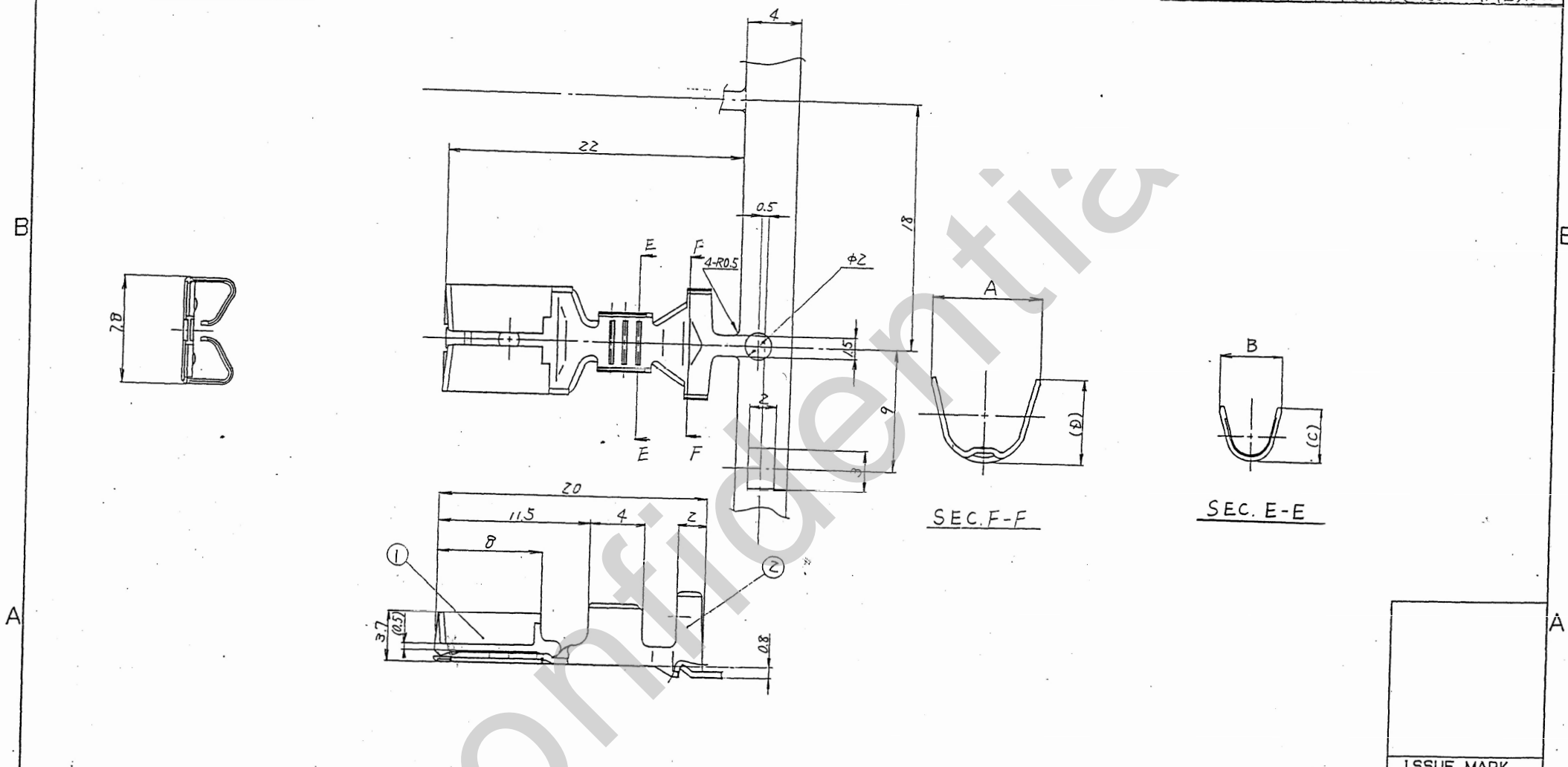


NO.	MATERIAL	SHEET-METAL THICKNESS
①	CAC92	t=0.3
②	KFC (TIN PLATING)	t=0.4

YAZAKI NO.	C	D	A	B	APPLICABLE WIRE SIZE
7116-2879	4.1	6.2	8.1	4.7	AV(S)2 ~ AV(S)3
7116-2878	3.3	5.3	6.2	3.1	AV(S)0.5 ~ AV(S)1.25



				CUSTOMER		MATL. SPEC.		TREAT. & FIN.						
				CUSTOMER PART NO.		SEE TABLE								
				CUSTOMER DWG NO.		NAME		X TYPE (XF-H) HEAVY DUTY						
89.09.07	NEW	C89-L858	S.I	OFFICE	STDLIB NO.	TERMINAL (F)								
LET	DATE	REVISION RECORD	NO.	CHKD	VENDOR									
GENERAL TOLERANCE					VENDOR NO.									
A	±0.15	±0.2	±0.3	±0.5	±0.75	±30'	0.1	DWG TYPE	DWG SOURCE	DWG DATE	UNIT	SCL	ANGLE	PART NO.
B	±0.2	±0.3	±0.55	±0.95	±1.4	±30'	0.1	R	NEW	89.09.07	mm	FREE	3	7116-2879 ETC.
Ⓞ	±0.3	±0.5	±0.8	±1.4	±2	±30'	0.15	APPROVED	CHECKED	CHECKED	DESIGN	DRAWN	DWG NO.	TRIAL PART NO.
SPECIFIED							WEIGHT		T. Endo		S. INABA		7116-2878:R	
							9		T. Endo		S. INABA		YAZAKI CORPORATION	
									89.09.07		89.09.07			