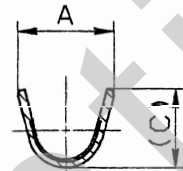
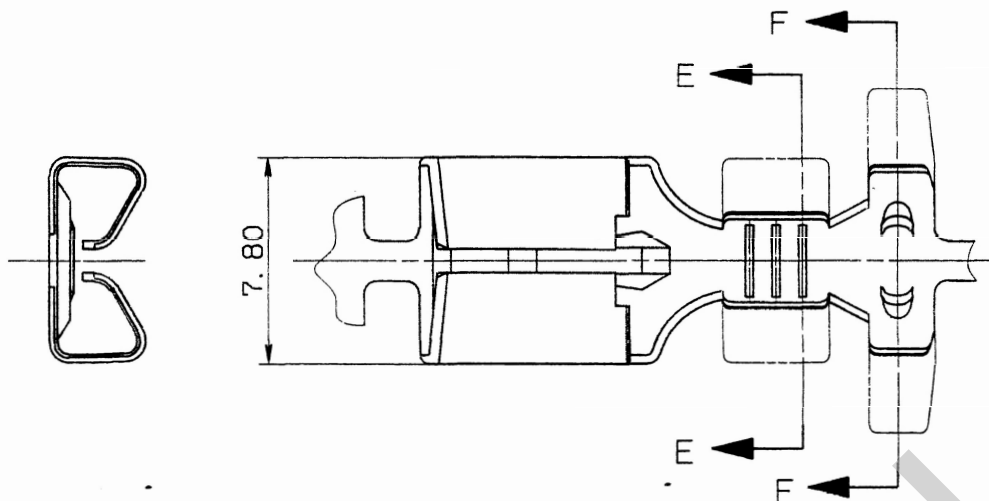
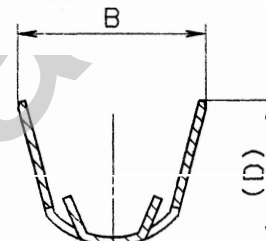


	PART NO.	A	B	C <sup>△</sup>	D <sup>△</sup>	REFERENCE	APPLICABLE WIRE SIZE
	7116-2870	2.5	4.5	2.3	5.4		AV(S) 0.3~0.5
△	7116-2870-02	2.5	4.5	2.3	5.4	TIN PLATING	AV(S) 0.3~0.5
	7116-2871	3.5	5.5	3.3	5.5		AV(S) 0.85~2
△	7116-2871-02	3.5	5.5	3.3	5.5	TIN PLATING	AV(S) 0.85~2
	7116-2872	4.5	6.5	4.3	6.4		AV(S) 3
△	7116-2872-02	4.5	6.5	4.3	6.4	TIN PLATING	AV(S) 3

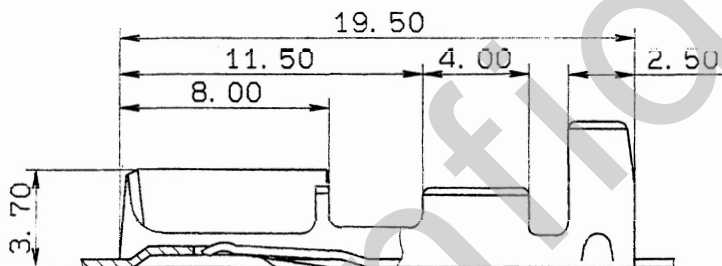
B



SEC. E-E



SEC. F-F



△ 注記

1) 適合相手番 : 7114-2870 ETC.

△ NOTE

1) MATING PART NO. . 7114-2870 ETC.

A

ISSUE MARK

△ 91.09.26		ADDED PART NO. & RENEW		C91-L730	K. S	CUSTOMER				MATL. BRASS t=0.32		TREAT. & FIN.		
△ 90.09.11		CORRECTION OF A CLERICAL ERROR		C90-7285	K. S	CUSTOMER PART NO.		CUSTOMER DWG NO.		SPEC.				
88.10.12		NEW		BMC-1343	K. S	OFFICE		TRIAL PART NO.		NAME		△ M TYPE TERMINAL (F)		
LET	DATE	REVISION RECORD		NO.	CHKD	VENDOR		VENDOR NO.						
GENERAL TOLERANCE														
	10MAX	50MAX	100MAX	250MAX	250OVR	ANGLE	ECCENT	DWG TYPE	DWG SOURCE	DWG DATE	UNIT	SCL	ANGLE	PART NO.
A	±0.15	±0.2	±0.3	±0.5	±0.75	±30'	0.1	R	NEW	83.03.04	mm	5/1	3	7116-2870 ETC.
B	±0.2	±0.3	±0.55	±0.95	±1.4	±30'	0.1	APPROVED	CHECKED	CHECKED	DESIGN	DRAWN		DWG NO.
©	±0.3	±0.5	±0.8	±1.4	±2	±30'	0.15					ISHIZUKA		7116-2870:R
SPECIFIED						MASS								YAZAKI CORPORATION
						g		91.9.26		91.9.26		91.09.26		