

1

2

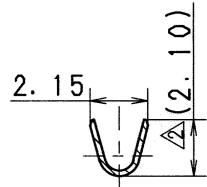
3

B

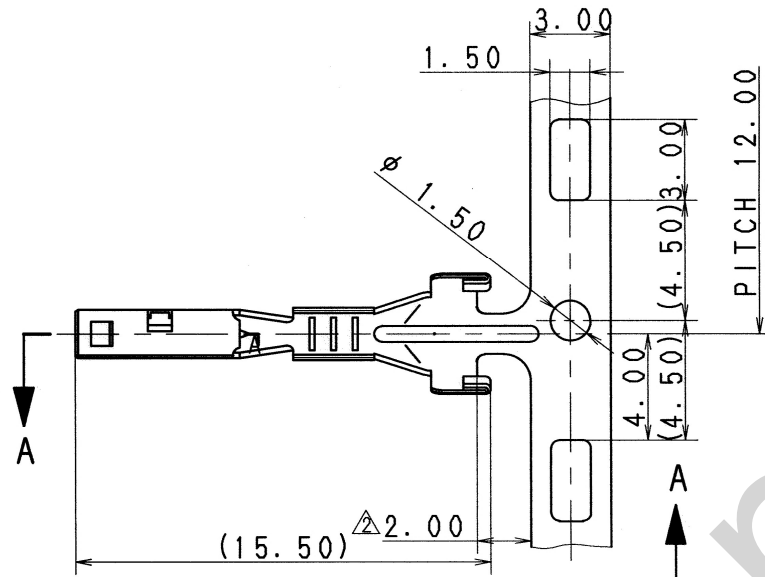
B

A

A



SEC. B-B

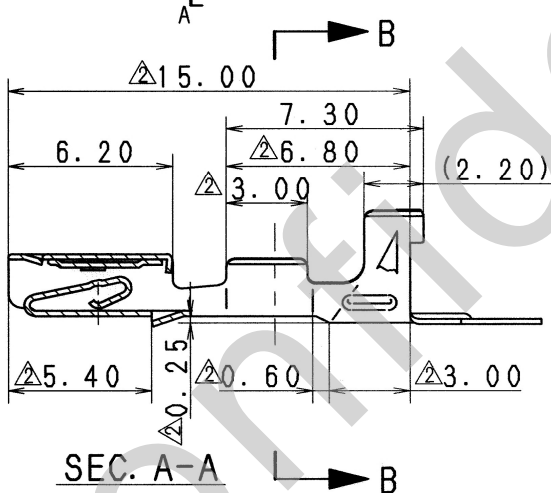
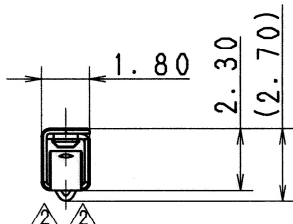


注記

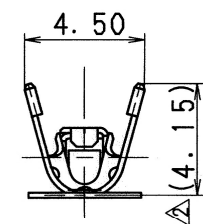
- 1. 適用電線サイズ: CAVS 0.3~0.85
AVS 0.3~0.5
- 2. 嵌合オス端子番: 7114-1680-02

NOTES

- 1. APPLICABLE WIRE SIZE: CAVS 0.3~0.85
AVS 0.3~0.5
- 2. MATING MALE TERMINAL NO.: 7114-1680-02



SEC. A-A



ISSUE MARK

05/09/01 CHANGED FORM ETC. [A]		C05-ZC15	T. K	CUSTOMER		MATL. Δ COPPER ALLOY	TREAT. TIN PLATING
90/10/24 CHANGED MATERIAL		C90-7547	M. S	CUSTOMER PART NO.		SPEC. t=0.20	
90/09/25 NEW		C90-L993	S. I	CUSTOMER DWG NO.		NAME SSD CONNECTOR	
LET	DATE	REVISION RECORD	NO.	CHKD	OFFICE	TRIAL PART NO.	
GENERAL TOLERANCE				VENDOR		TERMINAL FEMALE	
	10MAX	50MAX	100MAX	250MAX	2500VR	ANGLE	ECCENT
A	± 0.15	± 0.2	± 0.3	± 0.5	± 0.75	$\pm 30'$	0.1
B	± 0.2	± 0.3	± 0.55	± 0.95	± 1.4	$\pm 30'$	0.1
(C)	± 0.3	± 0.5	± 0.8	± 1.4	± 2	$\pm 30'$	0.15
SPECIFIED				MASS	g	PART NO. 7116-1680-02, [A]	
				DWG TYPE R		CH. CODE 7116-1680-02:R	
				DWG SOURCE NEW		DWG NO. 7116-1680-02:R	
				DWG DATE 90/09/25		SET DWG NO.	
				UNIT mm		YAZAKI CORPORATION	
				SCL 25:1			
				ANGLE 3			
				DESIGN ISHIZUKA			
				DRAWN A. LAVALLE			
				ISHIZUKA			
				KOMPEC GALVA			
				89/04/07			
				05/09/01			

1

2

3