

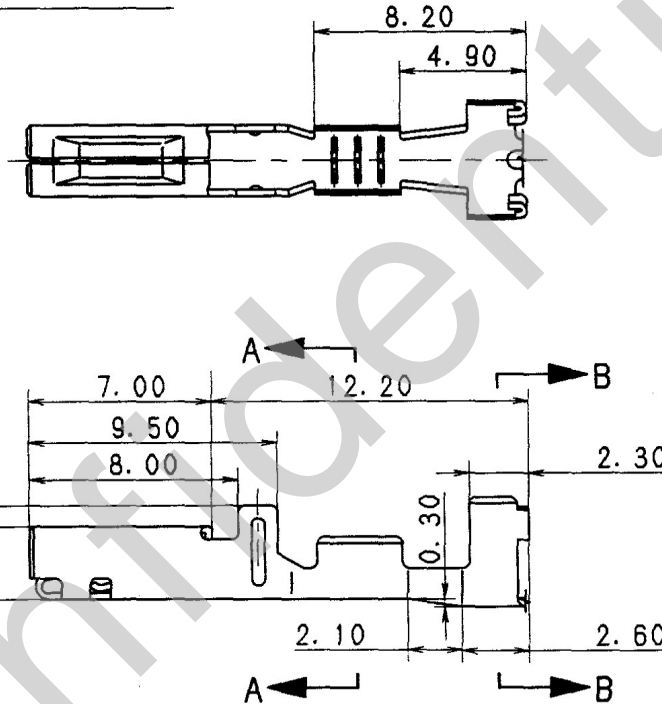
PART NO. AND CH. CODE	H1	W1	W2	H2	TREATMENT	WIRE SIZE	MATING PART NO.
7116-1471 (7B16-1471)	2.4	2.6	4.4	4.5	TIN PLATING	AVS0. 3. 0. 5. 0. 85	7114-1471 (7B14-1471)
7116-1471-08	2.4	2.6	4.4	4.5	GOLD PLATING	AVS0. 3. 0. 5. 0. 85	7114-1471-08
7116-1472	3.15	3.2	5.2	5.1	TIN PLATING	AVS1. 25. AVSS2	7114-1472
7116-1472-08	3.15	3.2	5.2	5.1	GOLD PLATING	AVS1. 25. AVSS2	7114-1472-08
7116-4560-02	3.65	3.2	5.15	5.4	TIN PLATING	AEX 2	7114-4560-02

注記

1. () 品番は、エアバッグ回路及び特別管理回路に使用する時に適用されます。

NOTES

1. IN THE CASE OF AIR BAG CIRCUITS AND SPECIAL CIRCUITS
USE PART NO. ().



SEC. B-B

SEC. A-A

ISSUE MARK

00.01.20	ADDED PART NO.	C00-6106	K. M															
99.11.29	ADDED PART NO.	C99-M654	T. H															
91.08.19	品番追加	C91-7195	M. K	CUSTOMER														
90.01.31	部品訂正及び公差変更	C90-6112	M. K	CUSTOMER PART NO.	CUSTOMER DWG NO.	MATL. SPEC.	COPPER ALLOY t=0.25	TREAT. & FIN.										
87.06.12	本物追加	7MC-0273	S. Y			NAME	SWP TYPE TERMINAL (F)											
86.06.02	新設	C86-0548	S. K	OFFICE	TRIAL PART NO.													
LET	DATE	REVISION RECORD NO.	CHKD	VENDOR														
GENERAL TOLERANCE				VENDOR NO.														
	10MAX	50MAX	100MAX	250MAX	2500VR	ANGLE	ECCENT	DWG TYPE	DWG SOURCE	DWG DATE	UNIT	SCL	ANGLE	PART NO.	7116-1471 (7B16-1471) ETC.			
A	±0.15	±0.2	±0.3	±0.5	±0.75	±30'	0.1	R	NEW	86.06.02	mm	5/11	3	CH. CODE	7116-1471:R			
B	±0.2	±0.3	±0.55	±0.95	±1.4	±30'	0.1	APPROVED	CHECKED	CHECKED	DESIGN	DRAWN	DWG NO.	7116-1471:R SET DWG NO.				
C	±0.3	±0.5	±0.8	±1.4	±2	±30'	0.15	神田 稲葉 工藤 S. KOZONO 森下			YAZAKI CORPORATION							
SPECIFIED				MASS	g	100.01.20	80.01.20	00.1.20	86.05.27	00.01.20								