

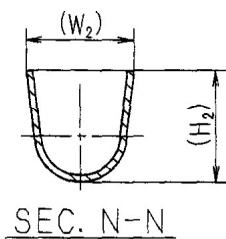
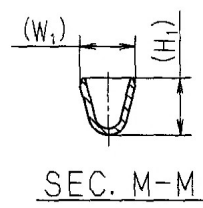
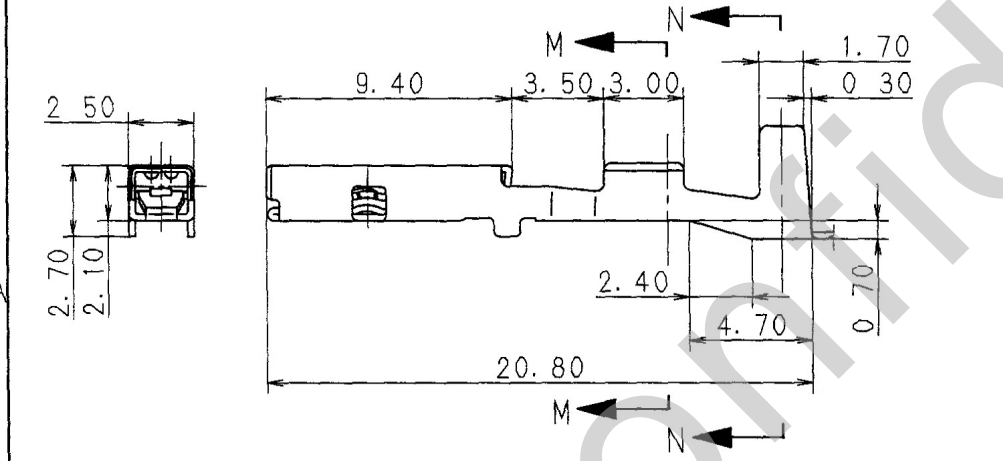
PART NO.	APPLICABLE WIRE SIZE	H ₁	H ₂	W ₁	W ₂	TREAT & FIN
7116-1304	AVS, CAVS 0.20~0.30sq	2.2	△4.3	2.1	4.1	TIN PLATING
7116-1305 △(7B16-1305)	AVS, CAVS 0.50~0.85sq	2.8	4.5	2.5	4.3	TIN PLATING
7116-1305-08	AVS, CAVS 0.50~0.85sq	2.8	4.5	2.5	4.3	GOLD PLATING

注記

- 1. 嵌合相手品番 7114-1304 ETC
- △2. () 内品番は、A/B回路及び特別管理回路に使用する時に適用すること。

NOTES

- △1 MATING PART NO 7114-1304 ETC.
- △2. () PART NO IS USED FOR PARTS ASSOCIATED WITH A/B CIRCUITS OR OTHER SPECIFIED CIRCUIT



ISSUE MARK

△	00.09.14	ADDED A/B PART NO.	C00-M205	M K	CUSTOMER	MATL	COPPER ALLOY △	TREAT	SEE TABLE					
△	94.09.06	CHANGED DIMENSION	C94-M237	S K	CUSTOMER PART NO	SPEC	(t=0.25)	& FIN	SEE TABLE					
△	93.03.12	CHANGED MATERIAL	C93-6335	M K	CUSTOMER DWG NO	NAME	Z-TYPE TERMINAL (F)							
	89.07.20	NEW	C89-7159	T. S	OFFICE	TRIAL PART NO.								
LET	DATE	REVISION RECORD	NO.	CHKD	VENDOR									
GENERAL TOLERANCE					VENDOR NO.									
	10MAX	50MAX	100MAX	250MAX	2500VR	ANGLE	ECCENT	DWG TYPE	DWG SOURCE	DWG DATE	UNIT	SCL	ANGLE	PART NO
A	±0.15	±0.2	±0.3	±0.5	±0.75	±30'	0.1	R	NEW	89.07.20	mm	5/1	3	7116-1304 ETC.
B	±0.2	±0.3	±0.55	±0.95	±1.4	±30'	0.1	APPROVED	CHECKED	CHECKED	DESIGN	DRAWN	DWG NO	7116-1304:R
©	±0.3	±0.5	±0.8	±1.4	±2	±30'	0.15				K ABE	FUTSUKI	SET DWG NO	
SPECIFIED					MASS	YAZAKI CORPORATION								
					g	00-09-19			00 09 19	87.09.01	00 09 14			