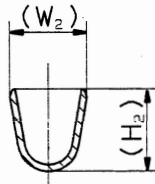
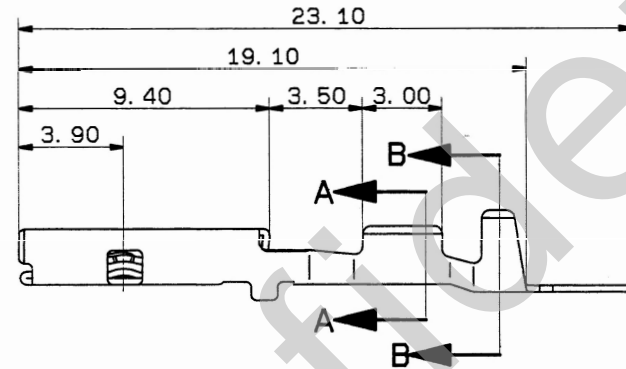
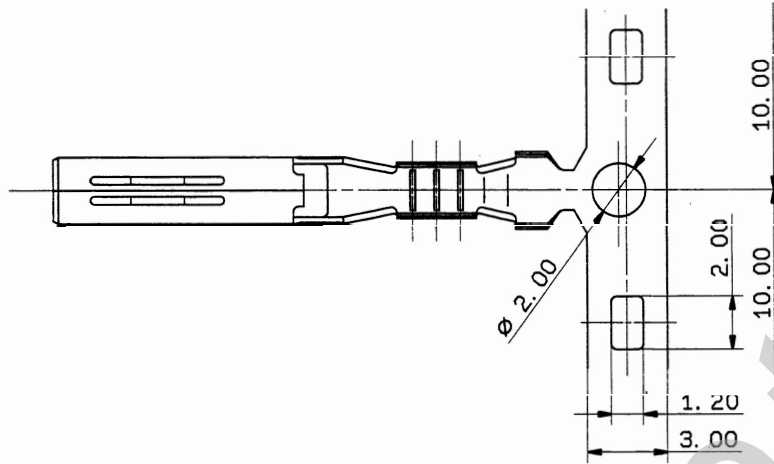
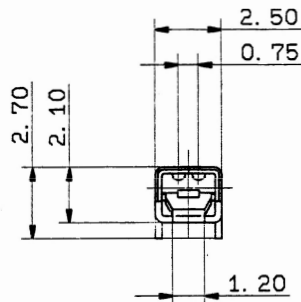


SEC. A-A



SEC. B-B



注 記

- 1) 材 料 :銅合金(t=0.25)  $\triangle$
- 2) 嵌合相手品番 :7114-1300 ETC.
- 3) 適用ハウジング品番:7123-7960 ETC.
- 4) ( )内品番ハ、エアバッグ回路及び特別燃焼回路ヲ  
使用スル時ニ適用スルコト.

NOTES

- 1) MATERIAL. :COPPER ALLOY(t=0.25)  $\triangle$
- 2) MATING PART NO. :7114-1300 ETC.
- 3) APPLICABLE HOUSING PART NO. :7123-7960 ETC.
- 4) ( )PART NO. TO BE USED AIR-BAG SYSTEM  
AND ADMINISTRATION SYSTEM.

YAZAKI PART NO.	APPLICABLE WIRE SIZE	H <sub>1</sub>	H <sub>2</sub>	W <sub>1</sub>	W <sub>2</sub>	TREAT & FIN
$\triangle$ 7116-1300(7B16-1300)	AVS. CAVS 0.2~0.3sq	2.2	3.1	2.1	2.9	TIN-PLATING
$\triangle$ 7116-1301(7B16-1301)	AVS. CAVS 0.5~0.85sq	2.8	3.9	2.5	3.0	TIN-PLATING
$\triangle$ 7116-1301-08	AVS. CAVS 0.5~0.85sq	2.8	3.9	2.5	3.0	GOLD-PLATING

$\triangle$	93.03.12	CHANGED MATERIAL	C93-6334	M. K
$\triangle$	91.08.22	ADDED PART NO.	C91-7194	M. K
$\triangle$	89.07.12	CHANGED COMPOSITION	C89-7105	H. I
$\triangle$	88.12.08	ADDED PRAT NO. , NOTE	8MC-1541	T. N
—	87.11.16	N E W	7MC-0774	K. A
LET	DATE	REVISION RECORD	NO.	CHKD

CUSTOMER		MATT. SPEC.		NOTE 1)		TREAT. & FIN.	
CUSTOMER PART NO.		CUSTOMER DWG NO.		NAME		C-TYPE TERMINAL (F)	
OFFICE		STDLIB NO.		VENDOR		VENDOR NO.	

GENERAL TOLERANCE							
10MAX	50MAX	100MAX	250MAX	2500VR	ANGLE	ECCENT	
A $\pm 0.15$	$\pm 0.2$	$\pm 0.3$	$\pm 0.5$	$\pm 0.75$	$\pm 30'$	0.1	
B $\pm 0.2$	$\pm 0.3$	$\pm 0.55$	$\pm 0.95$	$\pm 1.4$	$\pm 30'$	0.1	
© $\pm 0.3$	$\pm 0.5$	$\pm 0.8$	$\pm 1.4$	$\pm 2$	$\pm 30'$	0.15	
SPECIFIED						WEIGHT	g

DWG TYPE	DWG SOURCE	DWG DATE	UNIT	SCL	ANGLE	PART NO.	7116-1300 ETC.
R	NEW	87.11.16	mm	5/1	3	DWG NO.	7116-1300:R
APPROVED	CHECKED	CHECKED	DESIGN	DRAWN		TRIAL PART NO.	
杉	八木	辻	K. ABE	甲斐		YAZAKI CORPORATION	
93.3.12	93.3.12	93.3.12	87.11.16	93.03.12			

ISSUE MARK