

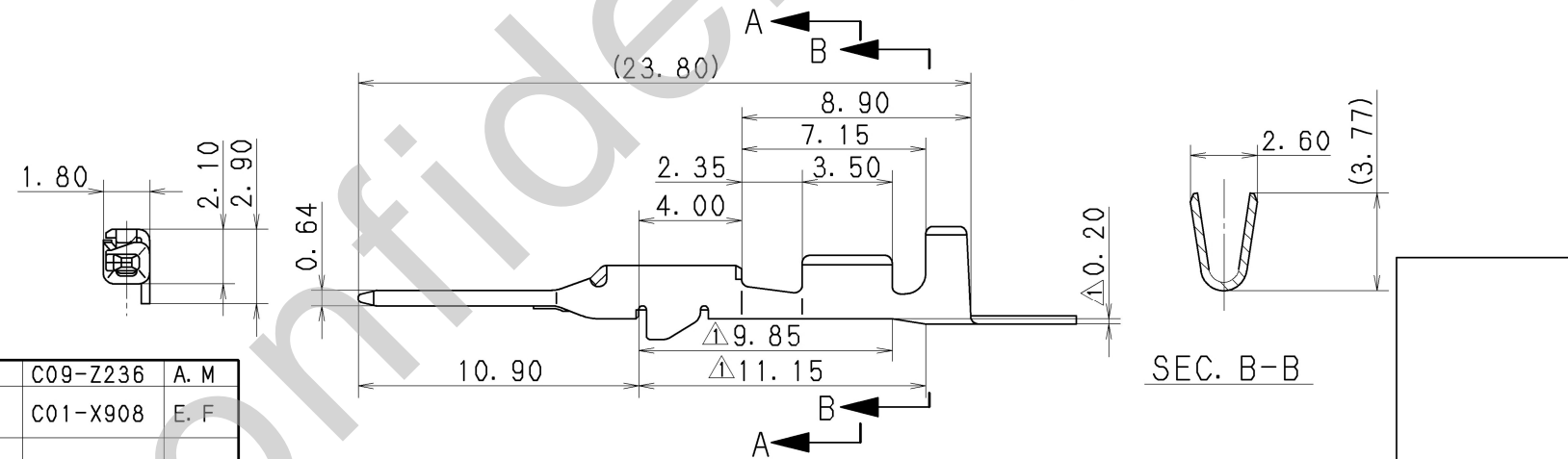
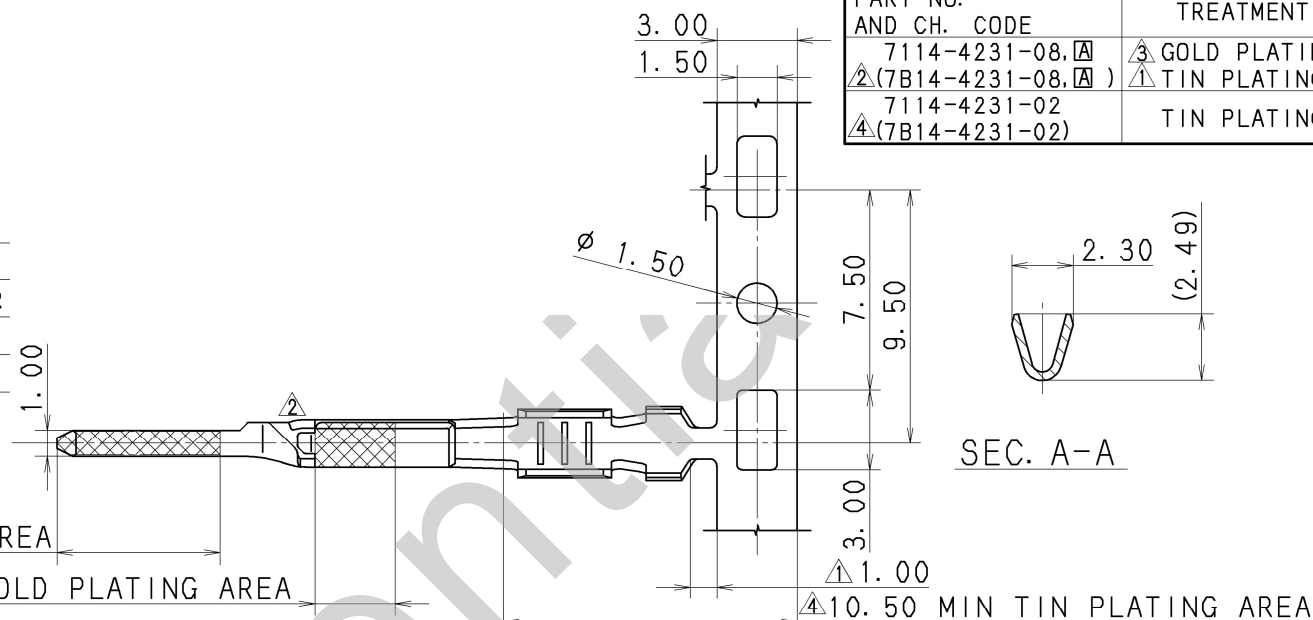
注記

- 1. かん合相手品番 : 7116-4231-08, 7116-4231-02
- 2. 適用電線サイズ : CAVUS 0.3~CAVS 0.5
- 3. () 内品番は、エアバッグ (A/B) 回路及び特別管理回路に使用する時に適用すること。

NOTES

- 1. MATING PART NO. : 7116-4231-08, 7116-4231-02
- 2. APPLICABLE WIRE SIZE : CAVUS 0.3~CAVS 0.5
- 3. PART NUMBERS IN PARENTHESIS SHALL BE USED FOR AIR BAG (A/B) CIRCUITS AND OTHER CIRCUITS DESIGNATED FOR SPECIAL MONITORING.

PART NO. AND CH. CODE	TREATMENT
7114-4231-08, (A)	(A) GOLD PLATING
(B) (7B14-4231-08, (A))	(B) TIN PLATING
7114-4231-02	TIN PLATING
(C) (7B14-4231-02)	



(A)	09/03/12	ADDED NOTES, ETC.	C09-Z236	A. M			
(B)	01. 10. 24	CHANGED TREATMENT & PART NAME, (A)	C01-X908	E. F			
(C)	98. 11. 07	ADDED NOTE, A/B PART NO. & CHANGED FORM	C98-M816	T. H			
(D)	98. 08. 04	CHANGED DIMENSION & PLATING	C97-N441	H. K			
LET	DATE	REVISION RECORD	NO.	CHKD			
GENERAL TOLERANCE							
	10MAX	50MAX	100MAX	250MAX	250OVR	ANGLE	ECCENT
A	±0.15	±0.2	±0.3	±0.5	±0.75	±30'	0.1
B	±0.2	±0.3	±0.55	±0.95	±1.4	±30'	0.1
(C)	±0.3	±0.5	±0.8	±1.4	±2	±30'	0.15
SPECIFIED							MASS
							g

CUSTOMER		MATERIAL SPEC.		TREAT. & FIN.	
CUSTOMER PART NO.		(A) BRASS (t=0.32)		SEE TABLE	
CUSTOMER DWG NO.		NAME (A) 1.0 III TERMINAL MALE			
OFFICE		PART NO. (A) 7114-4231-08 ETC. (B) (7B14-4231-08 ETC.)			
TRIAL PART NO.		DWG NO. 7114-4231-08:R		SET DWG NO.	
VENDOR		YAZAKI CORPORATION			
VENDOR NO.					
DWG TYPE	DWG SOURCE	DWG DATE	UNIT	SCL	ANGLE
R	NEW	97.03.31	mm	5/1	3
APPROVED	CHECKED	CHECKED	DESIGN	DRAWN	
M. YAMANASHI	T. MIWA	R. UNO	S. YAMADA	S. CALDEA	
09/03/12	09/03/12	09/03/12	96.10.04	09/03/12	

ISSUE MARK