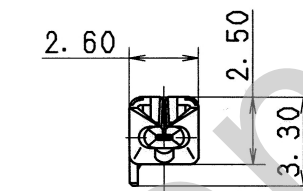
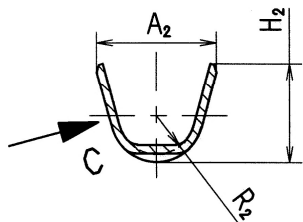
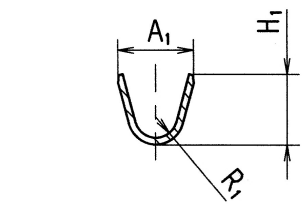
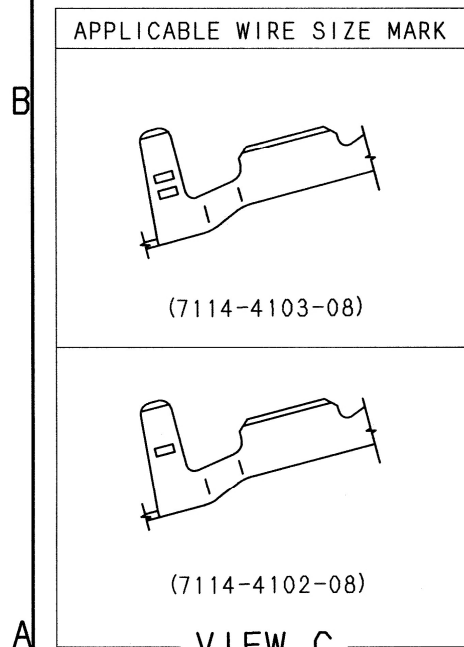


GENERAL TOLERANCE											
	10MAX	50MAX	100MAX	250MAX	250OVR	R5MAX	R10MAX	R20MAX	R200VR	ANGLE	ECCENT
A	±0.15	±0.2	±0.3	±0.5	±0.75					±3°	0.1
B	±0.2	±0.3	±0.55	±0.95	±1.4	±0.2	±0.3	±0.5	±2.5	±3°	0.1
C	±0.3	±0.5	±0.8	±1.4	±2					±3°	0.15

PART NO. AND CH. CODE	A <sub>1</sub>	A <sub>2</sub>	R <sub>1</sub>	R <sub>2</sub>	H <sub>1</sub>	H <sub>2</sub>	ΔM	WIRE SIZE
								(mm <sup>2</sup> )
7114-4102-08.□	2.50	4.85	0.45		(2.40)	(4.20)	0.55	△0.3 ~ 0.5 EQUIVALENT
7114-4103-08.□	3.30	5.00	0.65		(3.20)	(4.45)	0.70	△0.6 ~ 1.25 EQUIVALENT

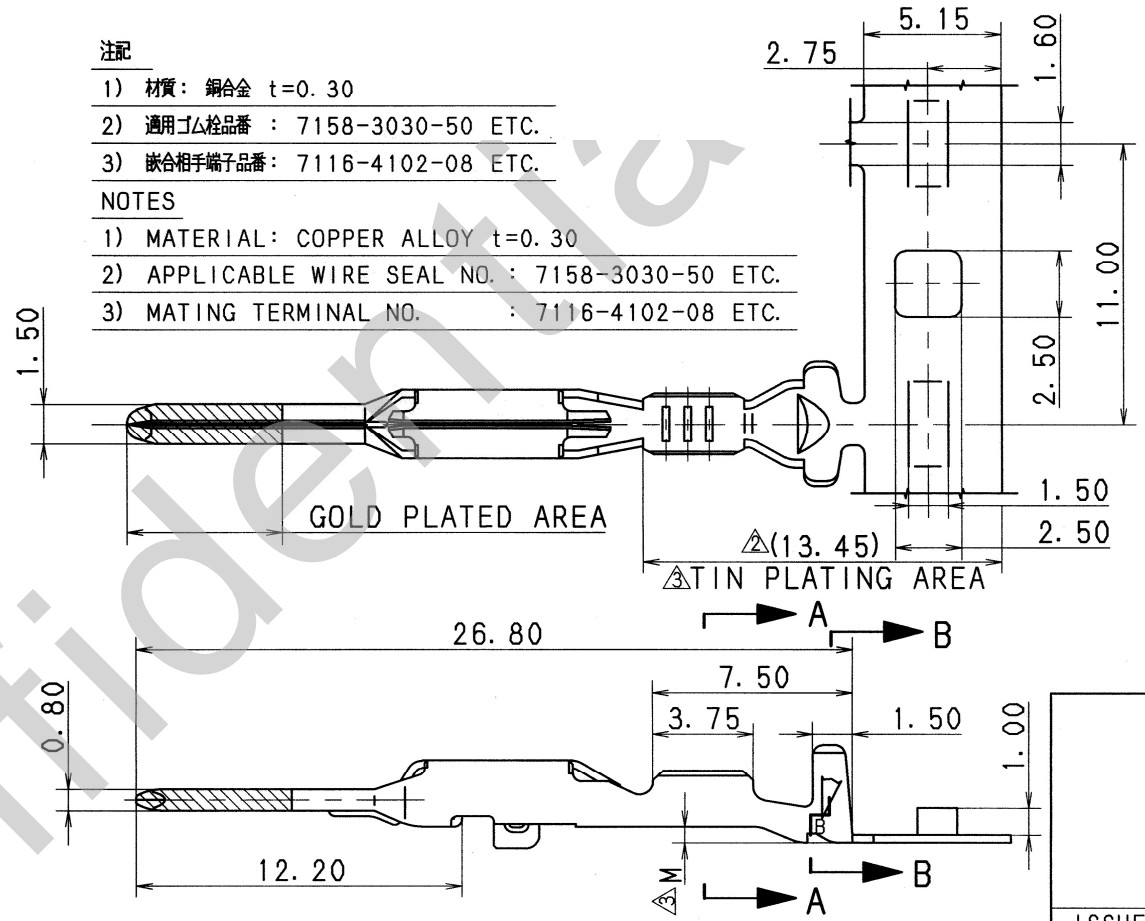


注記

- 材質：銅合金 t=0.30
- 適用寸法検査番号：7158-3030-50 ETC.
- 嵌合相手端子番号：7116-4102-08 ETC.

NOTES

- MATERIAL: COPPER ALLOY t=0.30
- APPLICABLE WIRE SEAL NO.: 7158-3030-50 ETC.
- MATING TERMINAL NO.: 7116-4102-08 ETC.



△	05/12/14	DELETED SOLDER PLATING INSTRUCTION, ETC.	C05-ZG57	Y. W
△	03/09/19	ADDED DIMENSION. □	C03-X584	H. T
△	03/07/07	CHANGED WIRE SIZE	C03-X434	K. O
	96/03/15	NEW	C96-6049	Y. T
LET	DATE	REVISION RECORD NO.	NO.	CHKD

CUSTOMER		MATERIAL SPEC.		TREAT. & FIN.	
CUSTOMER PART NO.	CUSTOMER DWG NO.	SEE NOTES			
OFFICE	TRIAL PART NO.	NAME 1.5 SYSTEM SEALED CONNECTOR			
VENDOR	VENDOR NO.	MALE TERMINAL (GOLD PLATED)			

GENERAL TOLERANCE													
	10MAX	50MAX	100MAX	250MAX	250OVR	ANGLE	ECCENT	DWG TYPE	DWG SOURCE	DWG DATE	UNIT	SCL	ANGLE
A	±0.15	±0.2	±0.3	±0.5	±0.75	±30'	0.1	R	NEW	96/03/15	mm	5:1	3
B	±0.2	±0.3	±0.55	±0.95	±1.4	±30'	0.1	APPROVED	CHECKED	CHECKED	DESIGN	DRAWN	
C	±0.3	±0.5	±0.8	±1.4	±2	±30'	0.15				Y. TOMITA	O. DAR	
SPECIFIED							MASS						

DWG NO.	7114-4102-08 ETC.	SET DWG NO.	
DWG NO.	7114-4102-08:R	SET DWG NO.	
YAZAKI CORPORATION			