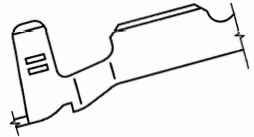
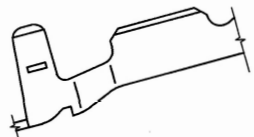


APPLICABLE WIRE SIZE MARK

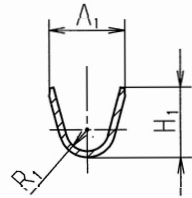


(7114-4103-02)

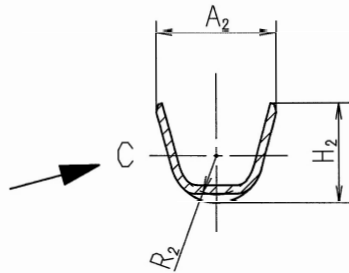


(7114-4102-02)

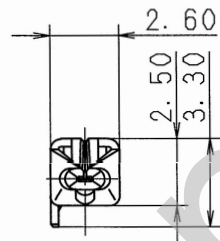
VIEW C



SEC. A-A



SEC. B-B



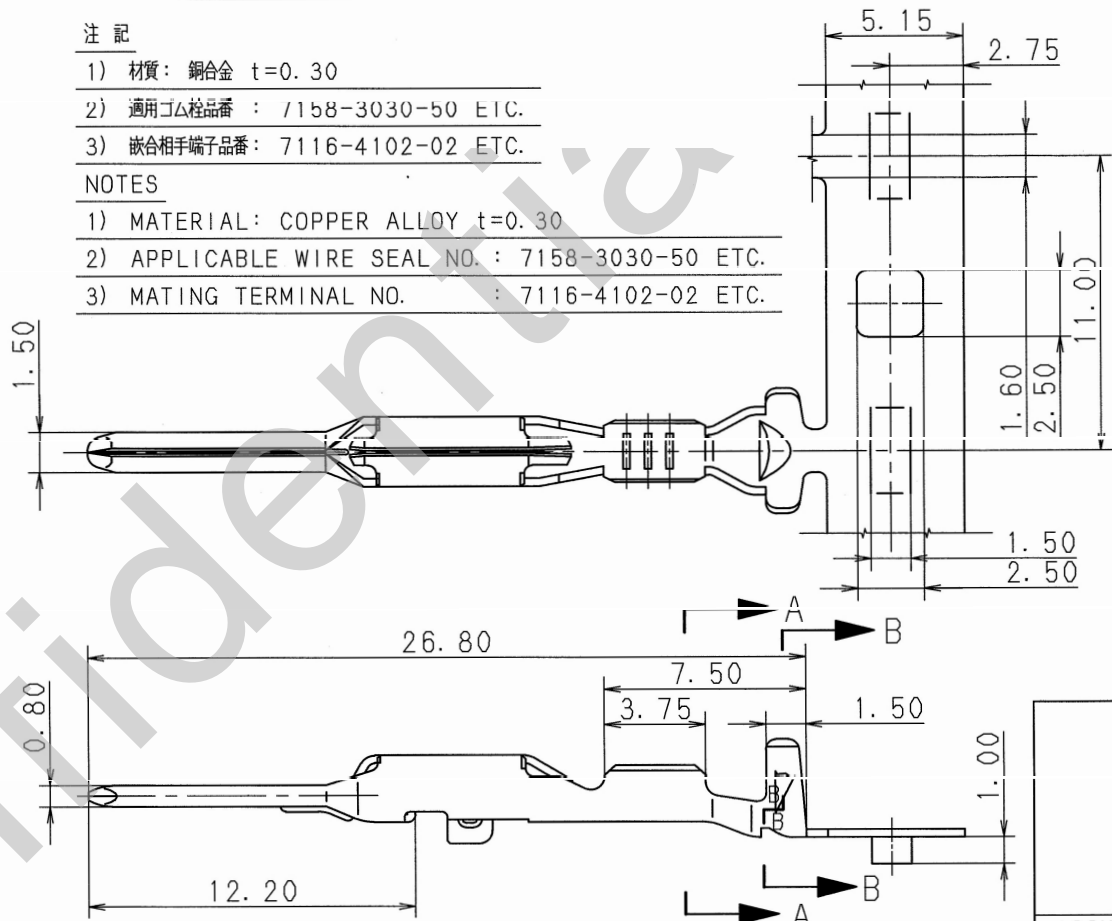
PART NO. AND CH. CODE	A ₁	A ₂	R ₁	R ₂	H ₁	H ₂	WIRE SIZE (mm ²)
7114-4102-02	2.50	4.85	0.45	1.45	(2.40)	(4.20)	△ 0.3 ~ 0.5 EQUIVALENT
7114-4103-02	3.30	5.00	0.65		(3.20)	(4.45)	△ 0.6 ~ 1.25 EQUIVALENT

注記

- 1) 材質: 銅合金 t=0.30
- 2) 適用コネクタ品番: 7158-3030-50 ETC.
- 3) 嵌合相手端子品番: 7116-4102-02 ETC.

NOTES

- 1) MATERIAL: COPPER ALLOY t=0.30
- 2) APPLICABLE WIRE SEAL NO.: 7158-3030-50 ETC.
- 3) MATING TERMINAL NO.: 7116-4102-02 ETC.



ISSUE MARK

△	03.07.07	CHANGED WIRE SIZE & CORRECTION OF A CLERICAL ERROR	C03-X434	K. O	CUSTOMER	CUSTOMER PART NO.	CUSTOMER DWG NO.	MAIL. SPEC.	SEE NOTES	TREAT. & FIN.						
	96.04.16	NEW	C96-L509	H. K	OFFICE	TRIAL PART NO.		NAME 1.5 SYSTEM SEALED CONNECTOR MALE TERMINAL (TIN PLATED)								
LET	DATE	REVISION RECORD	NO.	CHKD	VENDOR											
GENERAL TOLERANCE					VENDOR NO.											
	10MAX	50MAX	100MAX	250MAX	2500VR	ANGLE	ECCENT	DWG TYPE	DWG SOURCE	DWG DATE	UNIT	3CL	ANGLE	PART NO.	7114-4102-02 ETC.	
A	±0.15	±0.2	±0.3	±0.5	±0.75	±30'	0.1	R	NEW	96.04.16	mm	15/1	3	CH. CODE		
B	±0.2	±0.3	±0.55	±0.95	±1.4	±30'	0.1	APPROVED	CHECKED	CHECKED	DESIGN	DRAWN		DWG NO.	7114-4102-02:R	
③	±0.3	±0.5	±0.8	±1.4	±2	±30'	0.15				Y. TOMITA	Y. OHKUBO		SET DWG NO.		
SPECIFIED					MASS	g		03.8.20		07.9.20	03.8.19		96.04.16	03.07.07	YAZAKI CORPORATION	