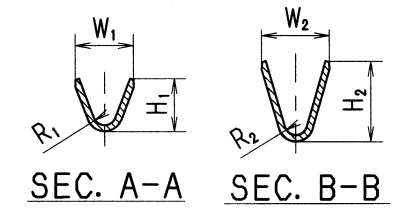
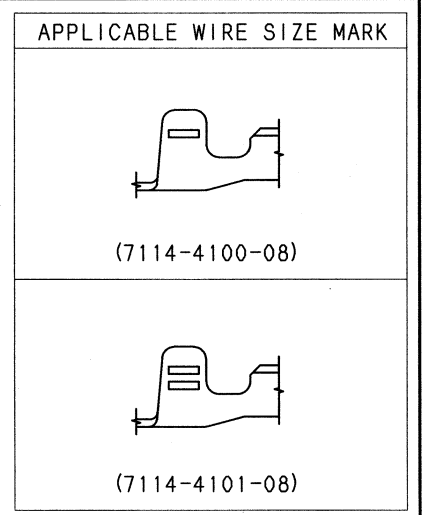
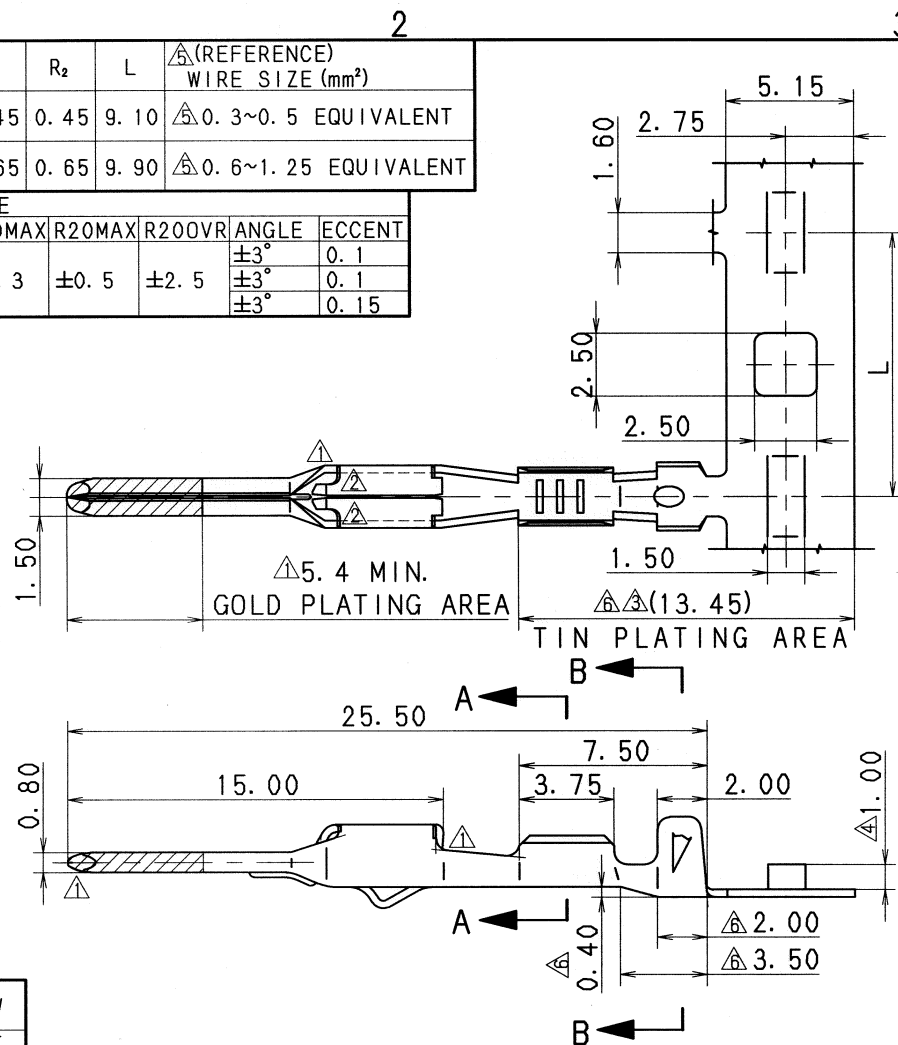


PART NO. AND CH. CODE	W ₁	W ₂	H ₁	H ₂	R ₁	R ₂	L	△(REFERENCE) WIRE SIZE (mm ²)
7114-4100-08. ㊦	2.50	2.80	(2.40)	(3.50)	0.45	0.45	9.10	△0.3~0.5 EQUIVALENT
7114-4101-08. ㊦	3.30	3.40	(3.25)	(4.10)	0.65	0.65	9.90	△0.6~1.25 EQUIVALENT

△GENERAL TOLERANCE											
	10MAX	50MAX	100MAX	250MAX	250OVR	R5MAX	R10MAX	R20MAX	R200OVR	ANGLE	ECCENT
A	±0.15	±0.2	±0.3	±0.5	±0.75					±3°	0.1
B	±0.2	±0.3	±0.55	±0.95	±1.4	±0.2	±0.3	±0.5	±2.5	±3°	0.1
(C)	±0.3	±0.5	±0.8	±1.4	±2					±3°	0.15

注記
 1. 嵌合端子番 : 7116-4100-08 ETC.
 △△2. 材質 : 銅合金 t=0.3 (金めっき, スズめっき)
 NOTES
 1. MATING TERMINAL NO. : 7116-4100-08 ETC.
 △△2. MATERIAL : COPPER ALLOY t=0.3
 (GOLD PLATING, TIN PLATING)



△	05/10/18	DELETED SOLDER PLATING INSTRUCTION, ETC.	C05-ZD50	Y. W				
△	04/06/25	CHANGED WIRE SIZE	C04-Z636	H. T				
△	03/12/23	CORRECT MISENTRY	C04-P010	M. H				
△	03/09/19	CHANGED NOTE. ㊦	C03-X584	H. T				
△	03/07/22	CHANGED WIRE SIZE & FORM	C03-X482	K. O				
△	96/01/16	CHANGED FORM	C96-L043	A. Y				
△	95/09/06	NEW	C95-M060	Y. W				
LET	DATE	REVISION RECORD	NO.	CHKD				
GENERAL TOLERANCE								
	10MAX	50MAX	100MAX	250MAX	250OVR	ANGLE	ECCENT	
A	±0.15	±0.2	±0.3	±0.5	±0.75	±30'	0.1	
B	±0.2	±0.3	±0.55	±0.95	±1.4	±30'	0.1	
(C)	±0.3	±0.5	±0.8	±1.4	±2	±30'	0.15	
SPECIFIED					MASS			
					g			

CUSTOMER		MATERIAL SPEC. SEE NOTES		TREAT. & FIN.	
CUSTOMER PART NO.		CUSTOMER DWG NO.		NAME 1.5 SYSTEM CONNECTOR	
OFFICE		TRIAL PART NO.		TERMINAL (M) (GOLD PLATING)	
VENDOR		VENDOR NO.		PART NO. 7114-4100-08 ETC.	
DWG TYPE		DWG SOURCE		DWG DATE	
R		NEW		95/09/06	
UNIT		SCL		ANGLE	
mm		5:1		3	
APPROVED		CHECKED		DESIGN	
DRAWN		K. OHTAKA		O. DAR	
DATE		DATE		DATE	
05.11.1		05.10.28		05.10.28	
95/05/29		05/10/18		05/10/18	

PART NO. 7114-4100-08 ETC.		SET DWG NO.	
DWG NO. 7114-4100-08:R			
YAZAKI CORPORATION			