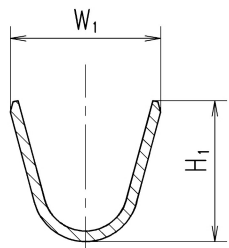
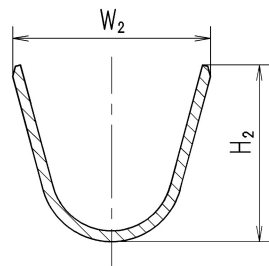


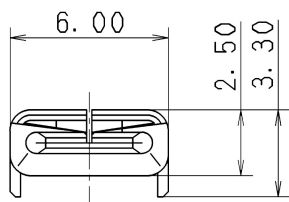
PART NO. AND CH. CODE	$\Delta W_1 \pm 0.4$	$\Delta W_2 \pm 0.4$	H ₁	H ₂	A ₁	A ₂	B	Δ WIRE SIZE
7114-4030	2.90	3.90	Δ (2.62)	Δ (3.43)	3.00	1.70	6.20	AVS/AVSS/CAVS 0.3~0.5 CHFUS 0.35~0.5, HFSS 0.5
7114-4031	3.60	4.70	Δ (3.34)	Δ (4.20)	4.00	1.70	7.20	AVS 0.5~1.25, AVSS 0.75~1.25 CAVS 0.85~1.25, CHFUS/HFSS 0.75~1.5
7114-4032	4.90	6.40	Δ (4.62)	Δ (5.66)	4.00	1.70	7.20	AVS 2~3 HFSS 2, HF 3



SEC. K-K



SEC. M-M

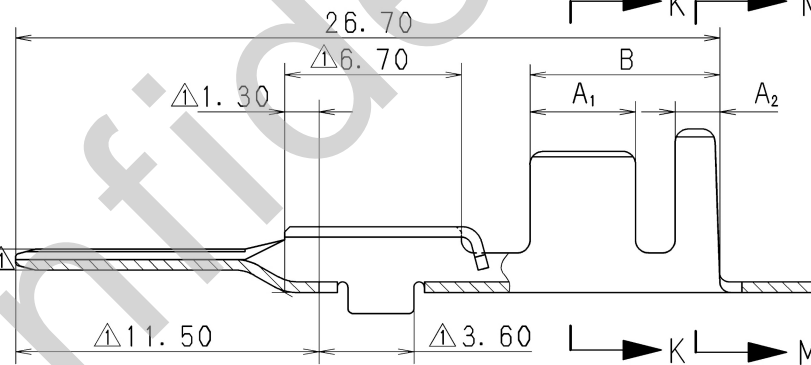


C

4.80

0.80

Δ 11.50



SEC. C-C

$\Delta \phi$ 1.50

13.10

14.90

1.50

3.00

3.80

3.00

注記

1. 対応相手品番: 7116-4030 ETC.

NOTE

1. MATING PART NO. : 7116-4030 ETC.

ISSUE MARK

Δ 10.03.29	CHANGED NAME, ETC.	C10-Z186	T. O	CUSTOMER	MATL. SPEC.	Δ BRASS (t=0.40)	TREAT. & FIN.	Δ TIN PLATING									
Δ 98.07.18	CHANGED FORM & DIMENSION	C97-N459	H. K	CUSTOMER PART NO.	CUSTOMER DWG NO.												
88.12.24	NEW	C89-L001	K. J	OFFICE	TRIAL PART NO.	NAME Δ 4.8 (187) TERMINAL MALE											
LET	DATE	REVISION RECORD NO.	CHKD	VENDOR													
GENERAL TOLERANCE				VENDOR NO.													
	10MAX	50MAX	100MAX	250MAX	250OVR	ANGLE	ECCENT	DWG TYPE	DWG SOURCE	DWG DATE	UNIT	SCL	ANGLE	PART NO.	7114-4030 ETC.		
A	± 0.15	± 0.2	± 0.3	± 0.5	± 0.75	$\pm 30'$	0.1	R	NEW	88.11.14	mm	5:1	3	CH. CODE	7114-4030 : R		
B	± 0.2	± 0.3	± 0.55	± 0.95	± 1.4	$\pm 30'$	0.1	APPROVED	CHECKED	CHECKED	DESIGN	DRAWN		DWG NO.	7114-4030 : R		
(C)	± 0.3	± 0.5	± 0.8	± 1.4	± 2	$\pm 30'$	0.15	M. FUKUDA	T. MIWA	T. OSADA	SUEYOSHI	M. MORAL			SET DWG NO.		
SPECIFIED							MASS	10.03.29	10.03.29	10.03.29	87.03.04	10.03.29		YAZAKI CORPORATION			