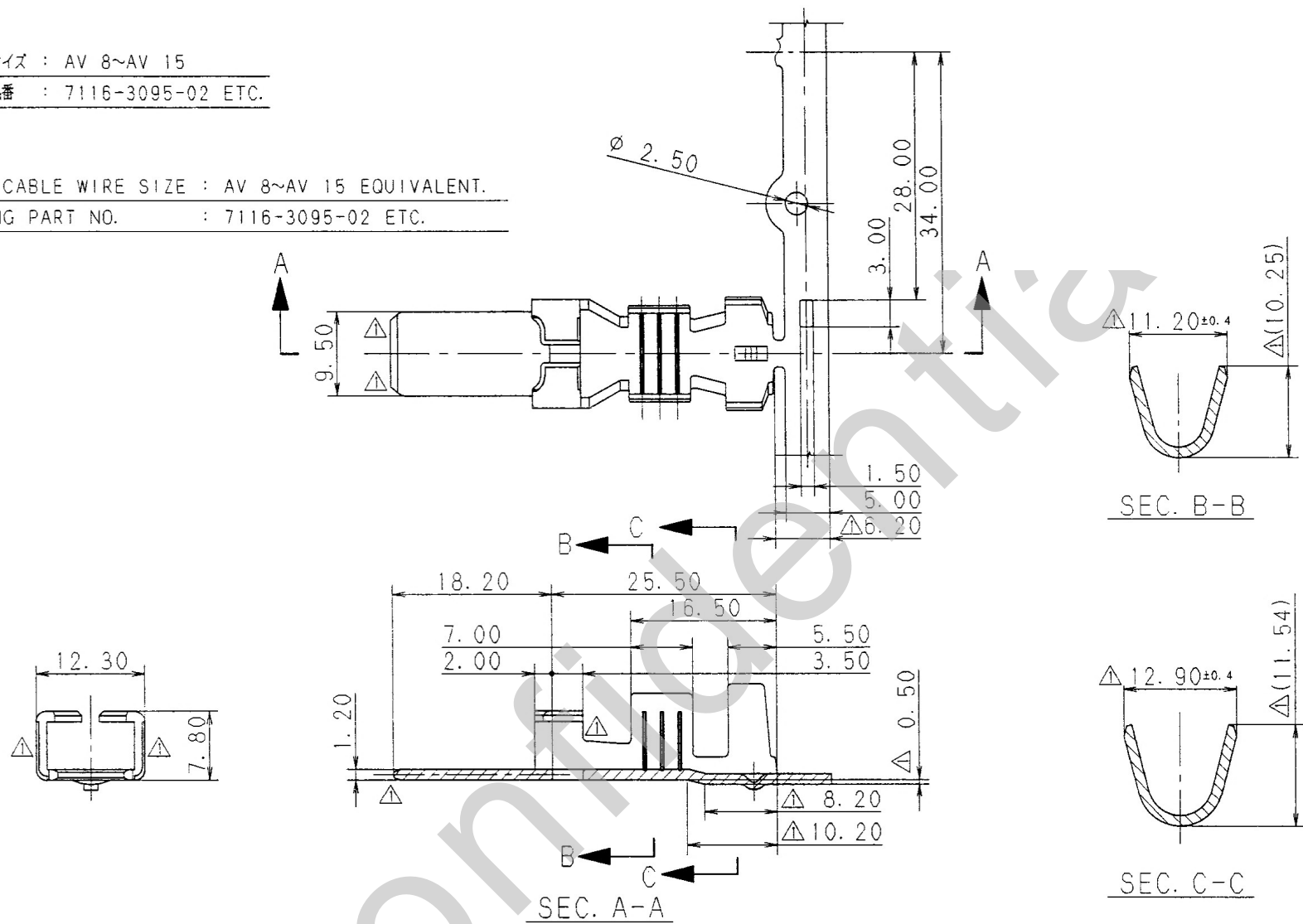


注記

- 1. 通用電線サイズ : AV 8~AV 15
- 2. 嵌合相手品番 : 7116-3095-02 ETC.

NOTES

- 1. APPLICABLE WIRE SIZE : AV 8~AV 15 EQUIVALENT.
- 2. MATING PART NO. : 7116-3095-02 ETC.



ISSUE MARK

△ 98.07.18		CHANGED FORM. NOTE & DIMENSION. □	C97-N467	H. K	CUSTOMER		MATERIAL: COPPER ALLOY (t=1.20)		TREAT. & FIN.		
96.06.24		NEW. □	C96-M070	M. T	CUSTOMER PART NO.		SPEC. TIN PLATING				
LET	DATE	REVISION RECORD	NO.	CHKD	OFFICE		NAME		T375 TERMINAL MALE		
					VENDOR		TRIAL PART NO.				
GENERAL TOLERANCE				VENDOR NO.		DWG TYPE		DWG SOURCE		DWG DATE	
	10MAX	50MAX	100MAX	250MAX	250OVR	ANGLE	ECCENT				
A	±0.15	±0.2	±0.3	±0.5	±0.75	±30'	0.1	R	NEW	96.06.24	mm
B	±0.2	±0.3	±0.55	±0.95	±1.4	±30'	0.1	APPROVED	CHECKED	CHECKED	UNIT
③	±0.3	±0.5	±0.8	±1.4	±2	±30'	0.15	加藤	山梨	秀命	SCL
SPECIFIED				MASS		98.7.28		98.07.23	98.07.21	95.01.26	ANGLE
										3	
										PART NO. 7114-3095-02. □	
										CH. CODE	
										DWG NO. 7114-3095-02:R	
										SET DWG NO.	
										YAZAKI CORPORATION	

