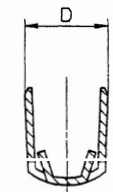
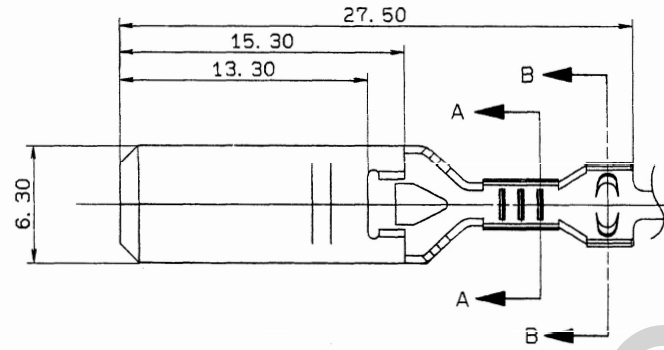
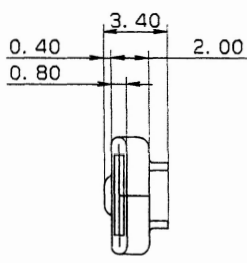
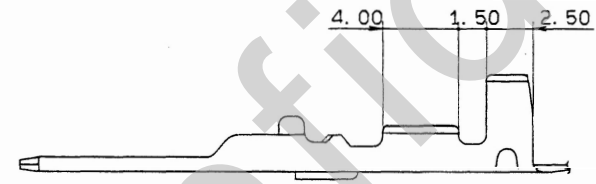


PART NO.	C	D	MATERIAL	TREAT & FIN	APPLICABLE WIRE SIZE
7114-2870	2.7	4.5	C2680 t=0.4	/	AV 0.5 AVS 0.3~0.5
7114-2870-02	2.7	4.5			TIN PLATED
7114-2871	3.7	5.5		/	AV 0.85~2 AVS 0.85~2
7114-2871-02	3.7	5.5			TIN PLATED
7114-2872	4.7	6.5		/	AV 3.AVS 3
7114-2872-02	4.7	6.5			TIN PLATED



SECTION A-A

SECTION B-B



LET	DATE	REVISION	RECORD	NO.	CHKD
	90.09.07	NEW		C90-L976	M. K

GENERAL TOLERANCE							
	10MAX	50MAX	100MAX	250MAX	2500VR	ANGLE	ECCENT
A	±0.15	±0.2	±0.3	±0.5	±0.75	±30°	0.1
B	±0.2	±0.3	±0.55	±0.95	±1.4	±30°	0.1
◎	±0.3	±0.5	±0.8	±1.4	±2	±30°	0.15

CUSTOMER		MATERIAL		TREAT & FIN	
CUSTOMER PART NO.		SPEC. SEE TABLE		TREAT & FIN.	
OFFICE		STDLIB NO.		NAME M TYPE TERMINAL (M)	
VENDOR		VENDOR NO.		DWG NO. 7114-2870 ETC.	
DWG TYPE R		DWG SOURCE NEW		DWG DATE 90.09.07	
APPROVED		CHECKED		DESIGN	
DRAWN		SAKA!		DRAWN I. MAKI I A	
DWG NO. 7114-2870:R		TRIAL PART NO.		YAZAKI CORPORATION	