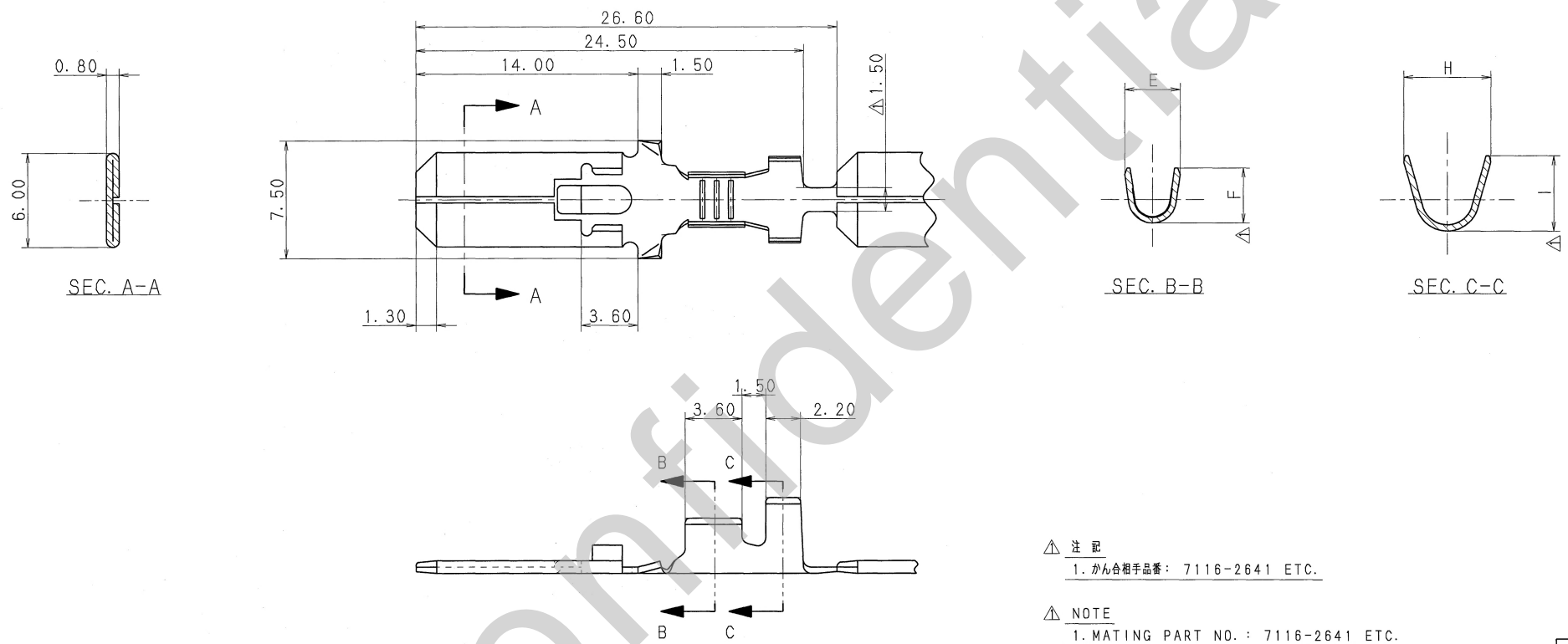


△	PART NUMBER	WIRE SIZE	E	F	H	I	REMARK
	7114-2251	AV 0.85~2	3.6	3.5	5.5	4.8	
	7114-2252	AV 3	4.7	4.5	6.5	5.9	
	7114-2251-02	AV 0.85~2	3.6	3.5	5.5	4.8	TIN PLATED
	7114-2252-02	AV 3	4.7	4.5	6.5	5.9	TIN PLATED



△ 注記  
 1. かん合相手品番： 7116-2641 ETC.

△ NOTE  
 1. MATING PART NO. : 7116-2641 ETC.

ISSUE MARK

LET	DATE	REVISION RECORD	NO.	CHKD
△	13.02.19	CHANGED MATERIAL INDICATION	C13-Z091	J. B
△	93.11.09	ADDED NOTE ETC.	C93-7090	Y. I
-	88.04.14	NEW	8MC-0448	M. H

GENERAL TOLERANCE								
	10MAX	50MAX	100MAX	250MAX	250QVR	ANGLE	ECCENT	
A	±0.15	±0.2	±0.3	±0.5	±0.75	±30'	0.1	
B	±0.2	±0.3	±0.55	±0.95	±1.4	±30'	0.1	
◎	±0.3	±0.5	±0.8	±1.4	±2	±30'	0.15	
SPECIFIED							MASS	g

CUSTOMER		MATERIAL SPEC.		TREAT. & FIN.	
CUSTOMER PART NO.		△ BRASS (t=0.4)		△	
CUSTOMER DWG NO.		NAME		250 TERMINAL MALE	
OFFICE		TRIAL PART NO.		FOR HOUSING LANCE CONNECTOR	
VENDOR		PART NO.		7114-2251 ETC.	
VENDOR NO.		DWG NO.		7114-2251:R	
DWG TYPE		DWG SOURCE		DWG DATE	
R		NEW		88.04.14	
APPROVED		CHECKED		DESIGN	
K. SUZUKI				H. HARADA	
13.02.19				J. BUTALON	
				13.02.19	
YAZAKI CORPORATION					