

注記

- 1. 嵌合メスターミナル品番: 7116-1670-02, 7116-1670-08, 7116-1800-02
- 2. () 内品番は、エアバック回路及び特別管理回路に使用する時に適用すること。

NOTES

- 1. MATING FEMALE TERMINAL NO. : 7116-1670-02, 7116-1670-08, 7116-1800-02
- 2. IN THE CASE OF A/B CIRCUITS AND CONTROL CIRCUITS USE PART NO. ().

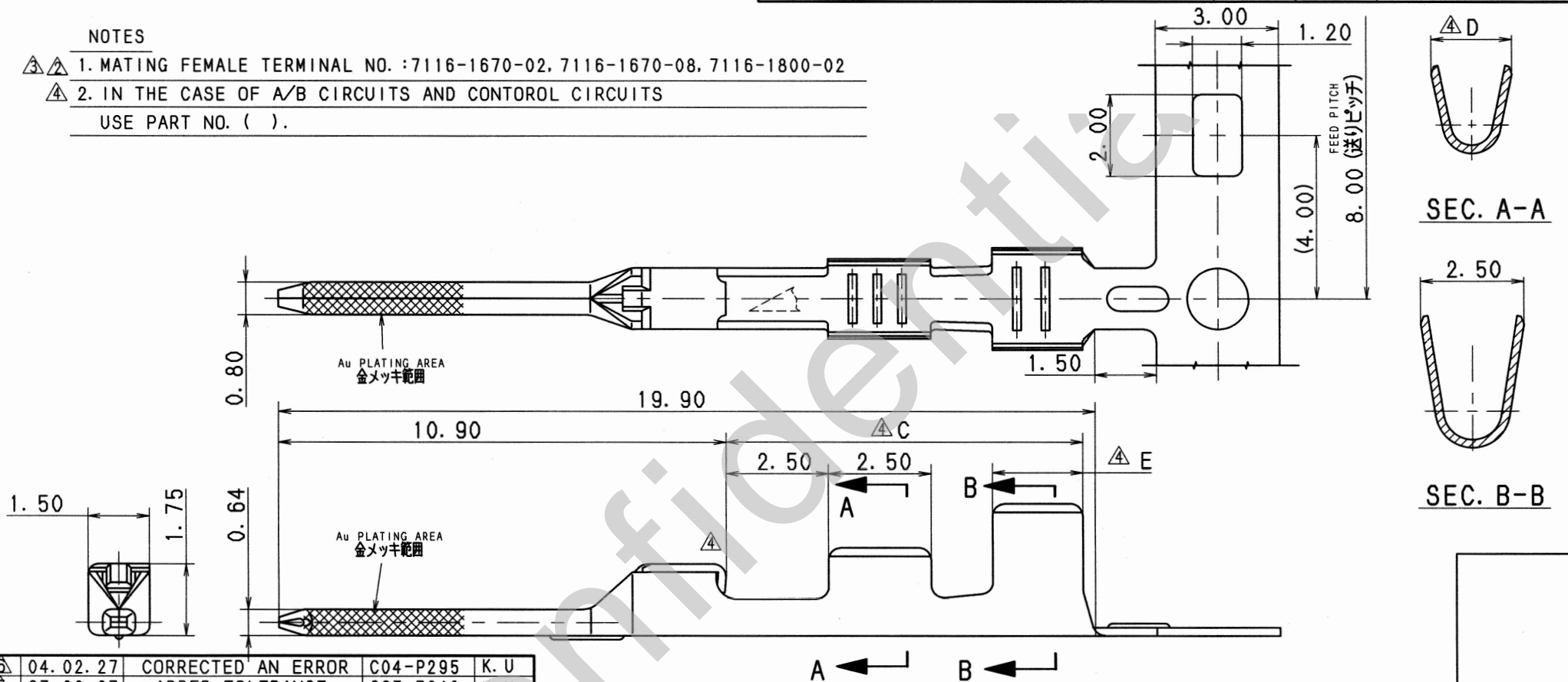
YAZAKI PART NO.	MATL. & TREAT.	C	D	E	WIRE SIZE
7114-1670-02 (7B14-1670-02)	BRASS (TIN PLATING)	8.70±0.1	1.95	2.20	CAVS. CAVUS 0.30~0.50
7114-1670-08	BRASS (GOLD PLATING)	8.55±0.1	2.10	2.05	CAVUS 0.85

B

B

A

A



04.02.27	CORRECTED AN ERROR	C04-P295	K. U
97.08.27	ADDED TOLERANCE	C97-7840	K. U
97.02.14	ADDED A/B PART NO. & ADDED DIMENSION	C97-L342	H. K
93.04.23	ADDED PART NO. ETC.	C93-P064	H. F
92.06.09	ADDED PART NO.	C92-6539	H. Y
91.02.01	CHANGED FORM	C90-7607	H. Y
90.07.24	NEW	C90-6943	H. Y
LET	DATE	REVISION RECORD NO.	CHKD

CUSTOMER	MATL. SPEC.	SEE TABLE	TREAT. & FIN.	SEE TABLE
CUSTOMER PART NO.	CUSTOMER DWG NO.	NAME A-TYPE TERMINAL (M)		
OFFICE	TRIAL PART NO.	-----		
VENDOR	7F8914-7093	-----		
VENDOR NO.	7F9114-7041	-----		

GENERAL TOLERANCE								DWG TYPE	DWG SOURCE	DWG DATE	UNIT	SCL	ANGLE
10MAX	50MAX	100MAX	250MAX	2500VR	ANGLE	ECCENT	R	NEW	90.07.24	mm	10/1	3	
A	±0.15	±0.2	±0.3	±0.5	±0.75	±30'	0.1						
B	±0.2	±0.3	±0.55	±0.95	±1.4	±30'	0.1	APPROVED	CHECKED	CHECKED	DESIGN	DRAWN	
C	±0.3	±0.5	±0.8	±1.4	±2	±30'	0.15				H. SAITOH	浦野	
SPECIFIED	MASS												

PART NO.	7114-1670-02 (7B14-1670-02) ETC.		
CH. CODE	7114-1670-02:R		
DWG NO.	7114-1670-02:R		
SET DWG NO.	YAZAKI CORPORATION		