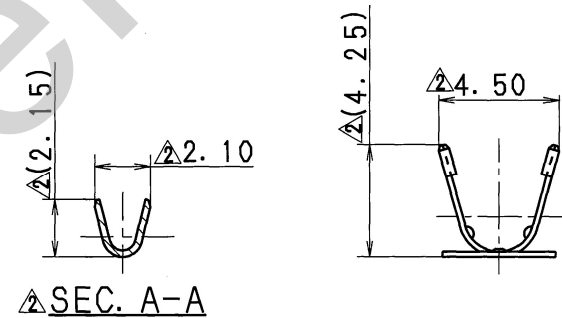


注記

- 1) 適用電線サイズ : CAVS 0.5
- 2) かん合メス ターミナル品番 : 7116-1456
- 3) 適用オス コネクタ品番 : 7222-7735, 7222-7736-90

NOTES

- 1) APPLICABLE WIRE SIZE: CAVS 0.5
- 2) MATING FEMALE TERMINAL PART NO. : 7116-1456
- 3) APPLICABLE MALE CONNECTOR PART NO. :  
7222-7735, 7222-7736-90



ISSUE MARK

2012/02/08		ADDED GENERAL TOLERANCE ETC.		C12-Z228	J. N	CUSTOMER		MATERIAL SPEC.		TREAT. & FIN.	
1989/03/09		CHANGED FORM		C89-6370	永野	CUSTOMER PART NO.		△ BRASS (t=0.25)		△ Sn PLATING	
1987/07/01		NEW		7MC-0310	大高	CUSTOMER DWG NO.		NAME △ YV TYPE TERMINAL (M)			
LET	DATE	REVISION RECORD		NO.	CHKD	OFFICE		TRIAL PART NO.			
						VENDOR					
						VENDOR NO.					
						DWG TYPE		PART NO.		7114-1456	
						DWG SOURCE		CH. CODE		7114-1456	
						DWG DATE		DWG NO.		7114-1456:R	
						UNIT		DESIGN		SET DWG NO.	
						SCL		DRAWN			
						ANGLE		M. KASHIYAMA		YAZAKI CORPORATION	
						ECCENT		Y. FUKASE			
						APPROVED		大高			
						CHECKED		J. NICOLAS			
						CHECKED		2012/02/08			
						DESIGN		1987/07/01			
						DRAWN		2012/02/08			