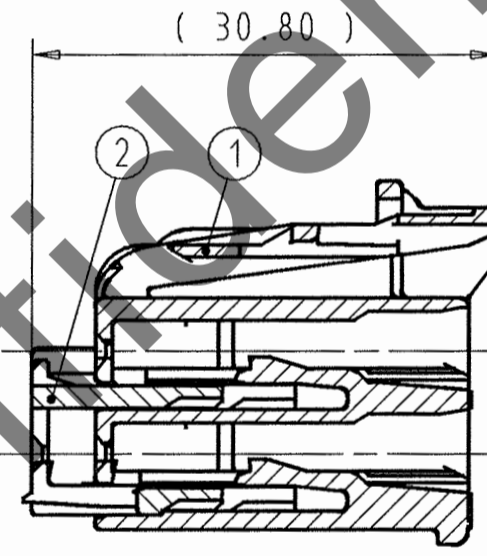
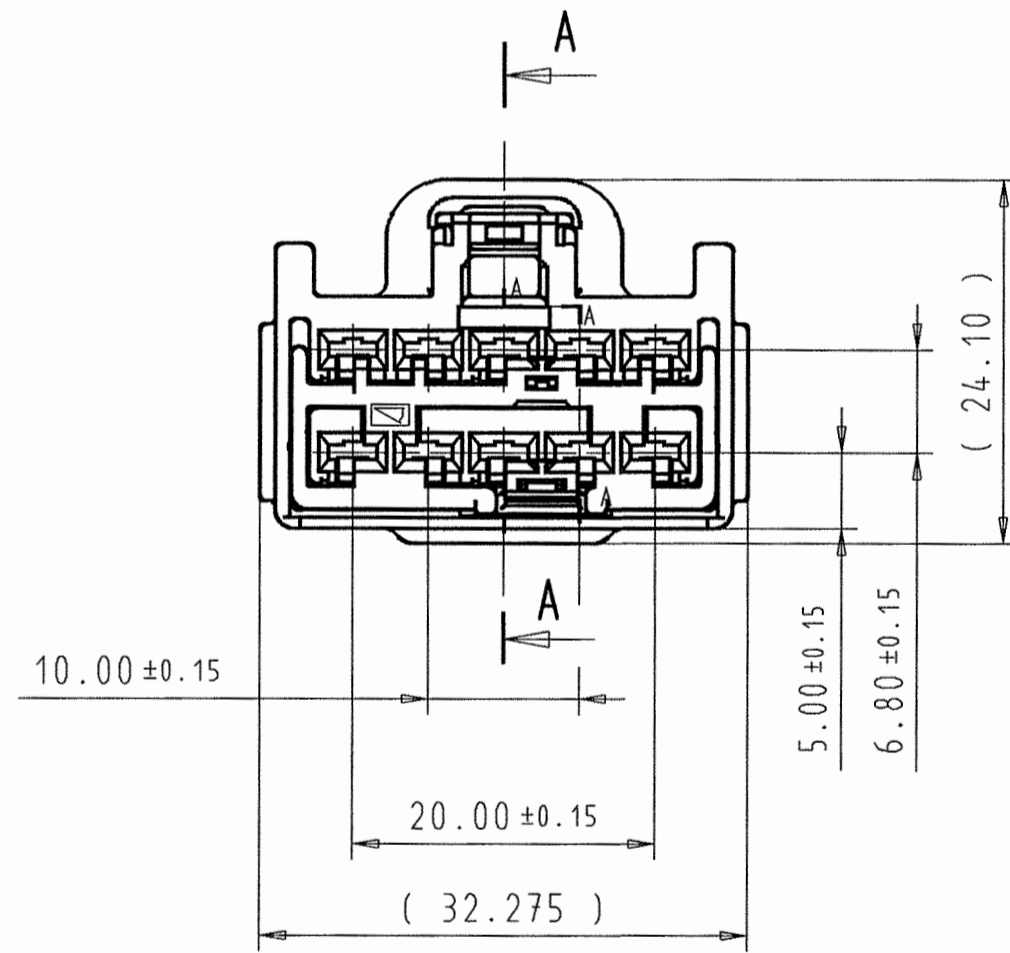
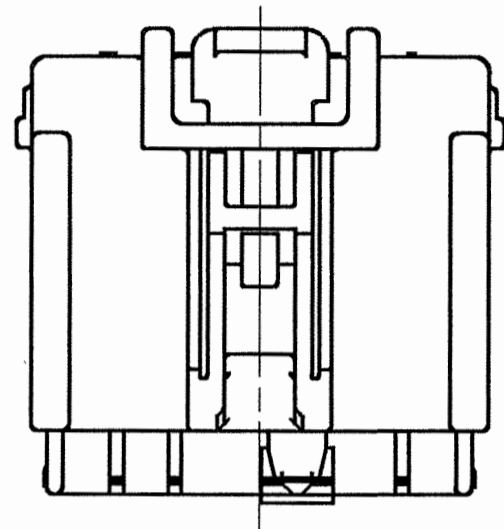


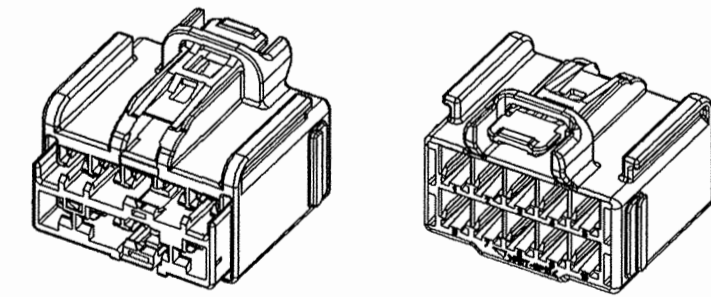
SUB ASSEMBLY PART NO.	NO.	PART NO.	PART NAME	MATERIAL	COLOR	QTY.	YAZAKI MATING PART NO.
7283-6457-40	①	7183-6457-40	YESC KAIZEN 2.8 SYSTEM CONNECTOR 10P (F) HOUSING	PBT-GF15	LIGHT GREY	1	7282-6457-40
	②	7158-5985-50	YESC KAIZEN 2.8 SYSTEM CONNECTOR 10P (F) FRONT HOLDER	PBT	ORANGE	1	

△ NOTES:

1. MATERIAL: SEE TABLE;
2. COLOR: SEE TABLE;
- △ 3. APPLICABLE TERMINALS: 7116-4110-02, ETC.;
4. FOR GENERAL GEOMETRICAL TOLERANCE SEE TABLE (ECCENT=ECCENTRICITY);
5. HANDLING MANUAL: YPES-15-599.



SECTION A-A



ISOMETRIC VIEW

(SCALE 1:1)

ISSUE MARK

LET	DATE	REVISION RECORD	NO.	CHKD
△	01.08.07	CHANGED NOTES & CORRECTED TERMINAL PART NO.	C07-D789	G.G.
△	09.09.02	NEW	C02-E323	M.K.

GENERAL TOLERANCE								
	10MAX	50MAX	100MAX	250MAX	2500VR	ANGLE	ECCENT	
A	±0.15	±0.2	±0.3	±0.5	±0.75	±30'	0.1	
B	±0.2	±0.3	±0.55	±0.95	±1.4	±30'	0.1	
◎	±0.3	±0.5	±0.8	±1.4	±2	±30'	0.15	
SPECIFIED	The materials used in this product are in conformity with requirements of EU ELY 2000/53/EC directive and associated documents.						MASS	9.5 g

CUSTOMER		MATL. SPEC.	TREAT. & FIN.
CUSTOMER PART NO.	CUSTOMER DWG NO.	SEE TABLE	
OFFICE	TRIAL PART NO.	NAME YESC KAIZEN 2.8 SYSTEM CONNECTOR	
VENDOR		10P (F) SUB ASSEMBLY	
VENDOR NO.		PART NO.	7283-6457-40
		CH.CODE	7283-6457-40
		DWG NO.	7283-6457-40:R
		SET DWG NO.	
YAZAKI CORPORATION			