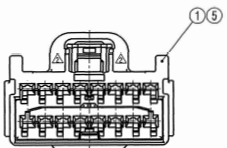
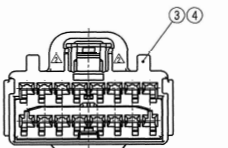
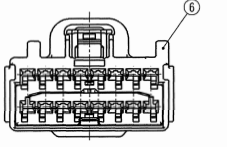
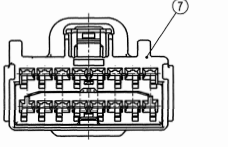
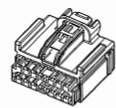
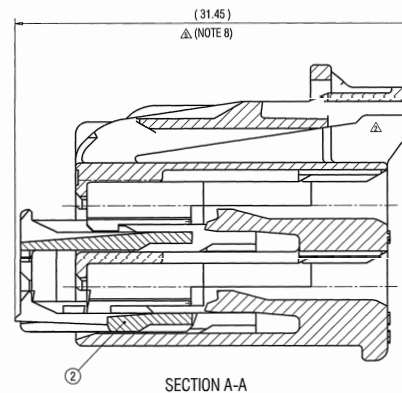
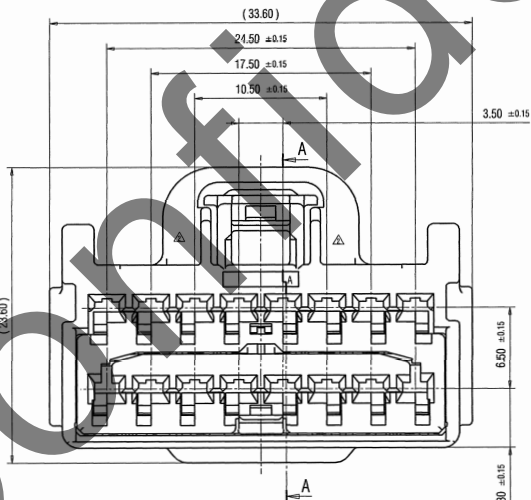
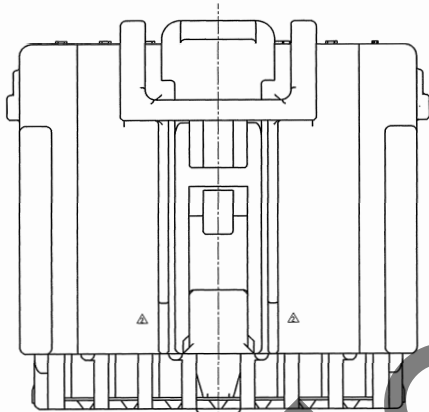


CODING OVERVIEW
(SCALE 2:1)

<p>TYPE A</p>  <p>① ⑤</p>	<p>TYPE B</p>  <p>③ ④</p>
<p>7283-6453-60 7283-6453-70 △ (7C83-6453-70)</p>	<p>7283-6456-90 △ 7283-6456-80</p>
<p>TYPE C</p>  <p>⑥</p>	<p>TYPE D</p>  <p>⑦</p>
<p>△ 7283-3585-40</p>	<p>△ 7289-9097</p>



ISOMETRIC VIEW
(SCALE 1:1)

SUB ASSEMBLY PART NO.	NO.	PART NO.	PART NAME	MATERIAL	COLOR	QTY.	MATING PART NO.	TYPE
7283-6453-60	①	7183-6453-60	YESC KAIZEN 1.5 SYSTEM CONNECTOR 16P (F) HOUSING (TYPE A)	PBT GF15	GREEN	1	7182-4073-60	SPACERLESS
	②	7158-5979	YESC KAIZEN 1.5 SYSTEM CONNECTOR 16P (F) FRONT HOLDER	PBT H01	NATURAL	1	7282-5534-60	YESC
7283-6456-90	③	7183-6456-90	YESC KAIZEN 1.5 SYSTEM CONNECTOR 16P (F) HOUSING (TYPE B)	PBT GF15	BLUE	1	7182-4074-90	SPACERLESS
	②	7158-5979	YESC KAIZEN 1.5 SYSTEM CONNECTOR 16P (F) FRONT HOLDER	PBT H01	NATURAL	1	7282-5535-90	YESC
7283-6456-80	④	7183-6456-80	YESC KAIZEN 1.5 SYSTEM CONNECTOR 16P (F) HOUSING (TYPE B)	PBT GF15	BROWN	1	7182-4075-80	SPACERLESS
	②	7158-5979	YESC KAIZEN 1.5 SYSTEM CONNECTOR 16P (F) FRONT HOLDER	PBT H01	NATURAL	1		
7283-6453-70 △ (7C83-6453-70)	⑤	7183-6453-70 △ (7B83-6453-70)	YESC KAIZEN 1.5 SYSTEM CONNECTOR 16P (F) HOUSING (TYPE A)	PBT GF15	YELLOW	1	7282-6453-70 △ (7C82-6453-70)	YESC KAIZEN
	②	7158-5979 △ (7B58-5979)	YESC KAIZEN 1.5 SYSTEM CONNECTOR 16P (F) FRONT HOLDER	PBT H01	NATURAL	1		
7283-3585-40	⑥	7183-3585-40	YESC KAIZEN 1.5 SYSTEM CONNECTOR 16P (F) HOUSING (TYPE C)	PBT GF15	LIGHT GRAY	1	7182-4076-40	SPACERLESS
	②	7158-5979	YESC KAIZEN 1.5 SYSTEM CONNECTOR 16P (F) FRONT HOLDER	PBT H01	NATURAL	1	7282-5536-40	YESC
7289-9097	⑦	7189-9097	YESC KAIZEN 1.5 SYSTEM CONNECTOR 16P (F) HOUSING (TYPE D)	PBT GF15	NATURAL	1	7182-4077	SPACERLESS
	②	7158-5979	YESC KAIZEN 1.5 SYSTEM CONNECTOR 16P (F) FRONT HOLDER	PBT H01	NATURAL	1		

- △ NOTES:
1. MATERIAL: SEE TABLE;
 2. COLOR: SEE TABLE;
 3. APPLICABLE TERMINALS: 7116-4100-02, ETC.;
 4. MATING PRODUCT NO.: SEE TABLE;
 5. FOR GENERAL GEOMETRICAL TOLERANCE SEE TABLE (ECCENT = ECCENTRICITY);
 6. HANDLING MANUAL: YFES-15-599E;
 - △ 7. THE MATERIALS USED IN THIS PRODUCT ARE IN CONFORMITY WITH REQUIREMENTS OF EU ELV 2000/53/EC DIRECTIVE AND ASSOCIATED DOCUMENTS;
 - △ 8. THIS DIMENSION SHOWS THE PRECISE FINISH OF FRONT HOLDER ON THE SUBASSEMBLY;
 - △ 9. APPLICABLE CONNECTOR INTERFACE ACCORDING DRAWING: 7283-6453-60-A.

△ 27.01.2017	ADDED NEW PART NO.	Y17-0073	M.V.
△ 18.03.2013	ADDED NEW PART NO.	Y13-0148	G.G.
△ 13.02.2013	ADDED NEW PART NO.	Y13-0079	G.G.
△ 07.12.2007	ADDED NOTES & NEW PART NO. CHANGED GEOMETRY	C07-D897	G.G.
△ 06.08.2002	CHANGED REVISION RECORD NUMBER	C02-E240	M.K.
△ 07.08.2002	NEW	C02-E237	M.K.
LET	DATE	REVISION RECORD NO.	CHKD

GENERAL TOLERANCE						
A	±0.15	±0.2	±0.3	±0.5	±0.75	±30
B	±0.2	±0.3	±0.55	±0.95	±1.4	±30
CD	±0.3	±0.5	±0.8	±1.4	±2	±30
SPECIFIED					MASS	9.9 g

CUSTOMER PART NO.	CUSTOMER DWG NO.	MATL. SPEC.	SEE TABLE	TREAT. & FIN.
OFFICE YEL-K	TRIAL PART NO.	NAME		
YESC KAIZEN 1.5 SYSTEM CONNECTOR				
16P (F) SUB ASSY (TYPE A, B, C & D) △				
PART NO.	CH. CODE	7283-6453-60, ETC.		
DWG NO.	7283-6453-60: R			SET DWG NO.
YAZAKI				
APPROVED: G. GREGURIC, M. VALJAK, T. SALJINOVIC, M. KASHIRIYAMA CHECKED: M. VALJAK, T. SALJINOVIC, M. KASHIRIYAMA DWG DATE: 13.01.2003, UNIT: mm, SCL: 3, ANGLE: 0.1 DWG TYPE: R, DWG SOURCE: NEW, DWG DATE: 13.01.2003, UNIT: mm, SCL: 3, ANGLE: 0.1 DATE: 23.01.2017, 13.01.2017, 13.01.2017, 07.08.2002, 27.01.2017				