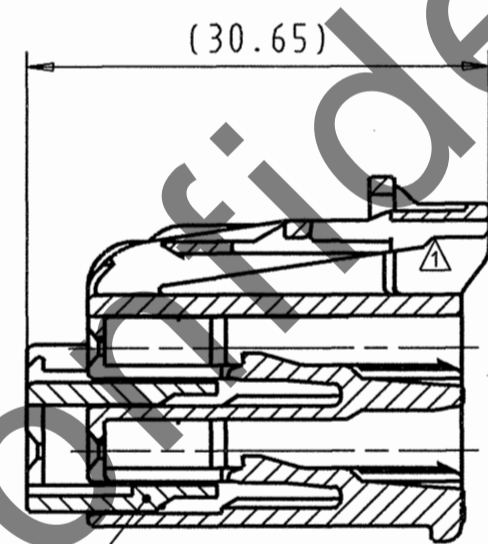
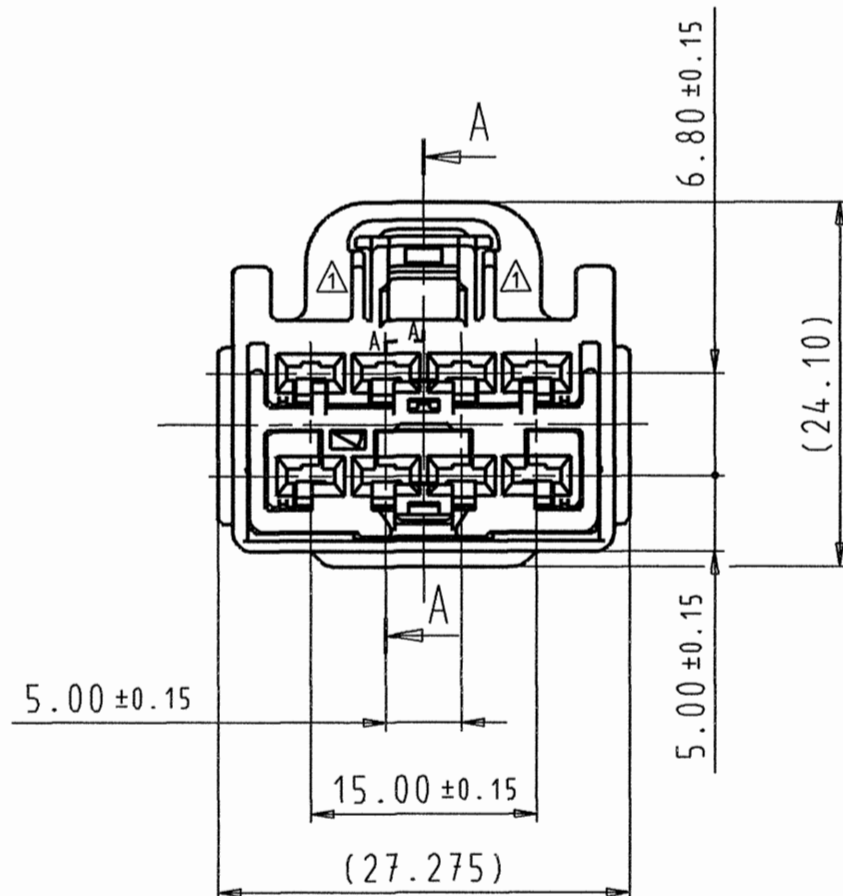
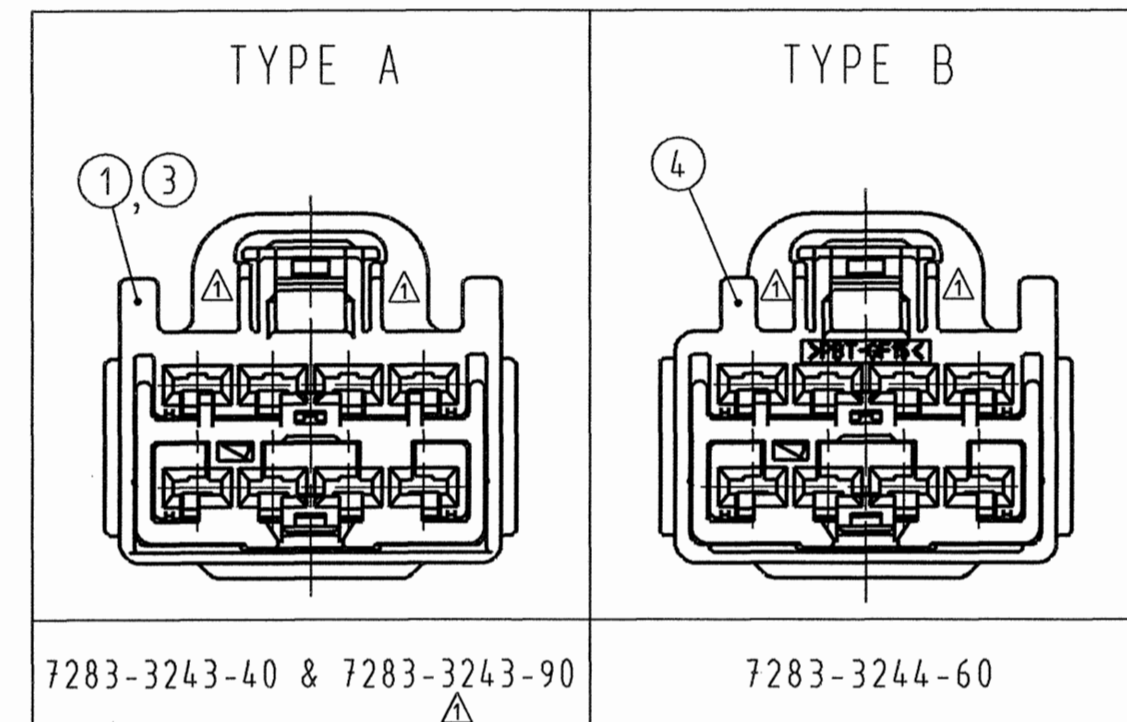
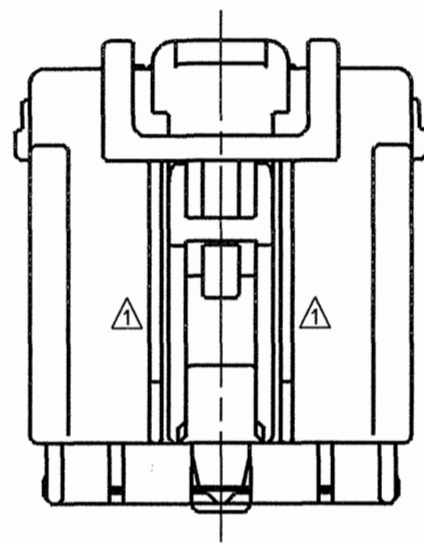


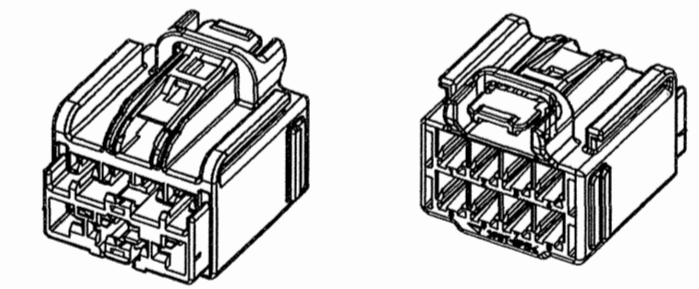
1 2 3 4 5

SUB ASSEMBLY PART NO.	NO.	PART NO.	PART NAME	MATERIAL	COLOR	QTY.	YAZAKI MATING PART NO.
7283-3243-40	①	7183-3243-40	YESC KAIZEN 2.8 SYSTEM CONNECTOR 8P (F) HOUSING (TYPE-A)	PBT-GF15	LIGHT GREY	1	7282-3243-40 △ 7282-5560-40
	②	7158-6212-50	YESC KAIZEN 2.8 SYSTEM CONNECTOR 8P (F) FRONT HOLDER	PBT	ORANGE	1	
7283-3243-90	③	7183-3243-90	YESC KAIZEN 2.8 SYSTEM CONNECTOR 8P (F) HOUSING (TYPE-A)	PBT-GF15	BLUE	1	N/A
	②	7158-6212-50	YESC KAIZEN 2.8 SYSTEM CONNECTOR 8P (F) FRONT HOLDER	PBT	ORANGE	1	
7283-3244-60	④	7183-3244-60	YESC KAIZEN 2.8 SYSTEM CONNECTOR 8P (F) HOUSING (TYPE-B)	PBT-GF15	GREEN	1	△ 7282-5917-60
	②	7158-6212-50	YESC KAIZEN 2.8 SYSTEM CONNECTOR 8P (F) FRONT HOLDER	PBT	ORANGE	1	



SECTION A-A

- △ NOTES:
1. MATERIAL: SEE TABLE;
 2. COLOR: SEE TABLE;
 3. APPLICABLE TERMINALS: 7116-4110-02, ETC;
 4. MATING PART NO.: SEE TABLE;
 5. FOR GENERAL GEOMETRICAL TOLERANCE SEE TABLE (ECCENT=ECCENTRICITY);
 6. HANDLING MANUAL: YPES-15-599E;
 7. THE MATERIALS USED IN THIS PRODUCT ARE IN CONFORMITY WITH REQUIREMENTS OF EU ELV 2000/53/EC DIRECTIVE, ASSOCIATED DOCUMENTS AND "CONTROL STANDARD FOR CHEMICAL SUBSTANCE (YGS-C21-010)".



ISOMETRIC VIEW

(SCALE 1:1)

LET	DATE	REVISION RECORD	NO.	CHKD
△	08.07.2014	ADDED PART NUMBERS	Y14-0353	M.V.
△	04.12.2007	CHANGED GEOMETRY, ADDED NOTES & NEW PART NO.	C07-D886	G.G.
△	09.09.2002	NEW	C02-E312	M.K.

GENERAL TOLERANCE							
	10MAX	50MAX	100MAX	250MAX	2500VR	ANGLE	ECCENT
A	±0.15	±0.2	±0.3	±0.5	±0.75	±30'	0.1
B	±0.2	±0.3	±0.55	±0.95	±1.4	±30'	0.1
©	±0.3	±0.5	±0.8	±1.4	±2	±30'	0.15
SPECIFIED						MASS	8.4 g

CUSTOMER		MATERIAL SPEC.		TREAT. & FIN.	
CUSTOMER PART NO.		SEE TABLE			
OFFICE YEL-K		TRIAL PART NO.		NAME YESC KAIZEN 2.8 SYSTEM CONNECTOR	
VENDOR		VENDOR NO.		8P (F) SUB ASSEMBLY (TYPE-A,B)	
DWG TYPE R		DWG SOURCE NEW		PART NO. 7283-3243-40, ETC.	
DWG DATE 22.01.2003		UNIT mm		CH.CODE	
DWG DATE 17.07.2014		DWG DATE 17.07.2014		DWG NO. 7283-3243-40:R	
DWG DATE 17.07.2014		DWG DATE 09.09.2002		SET DWG NO.	
DWG DATE 09.09.2002		DWG DATE 08.07.2014		YAZAKI	

1 2 3 4 5 A2