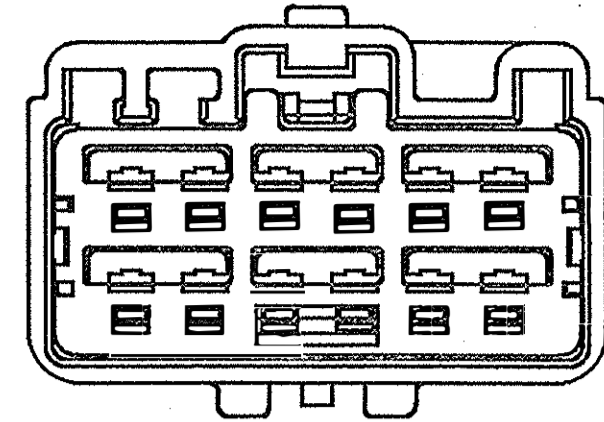
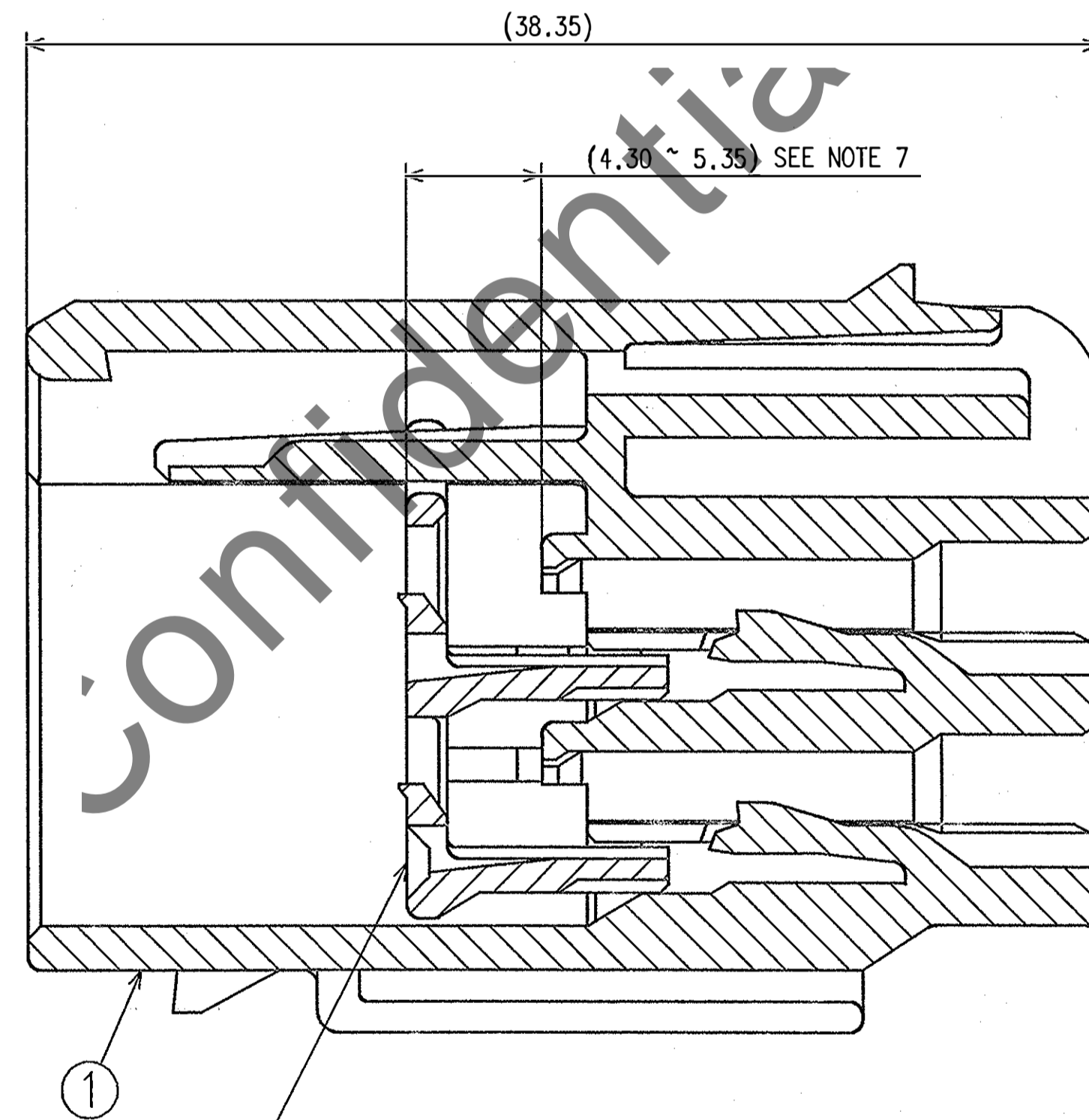
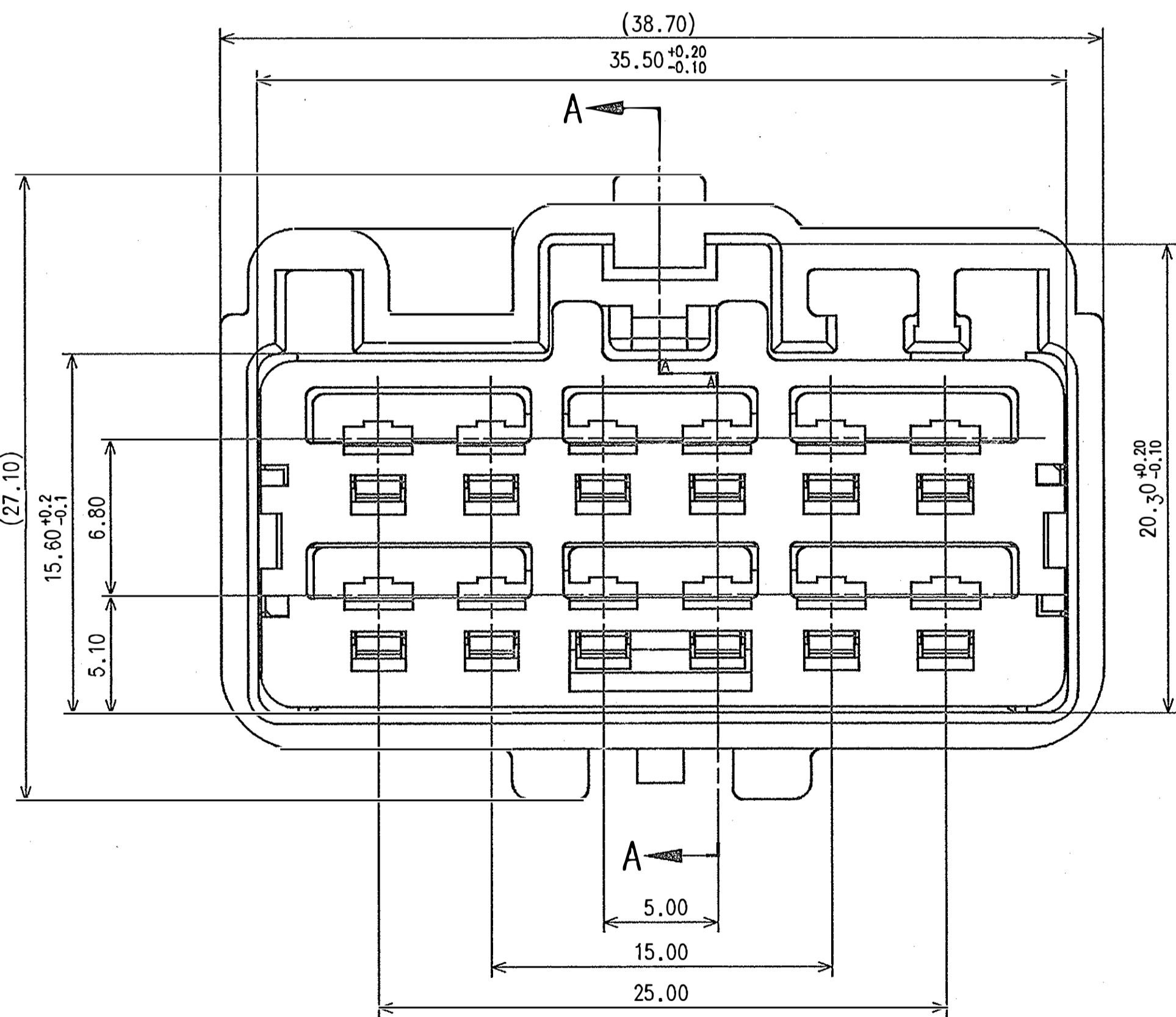


(2/1)

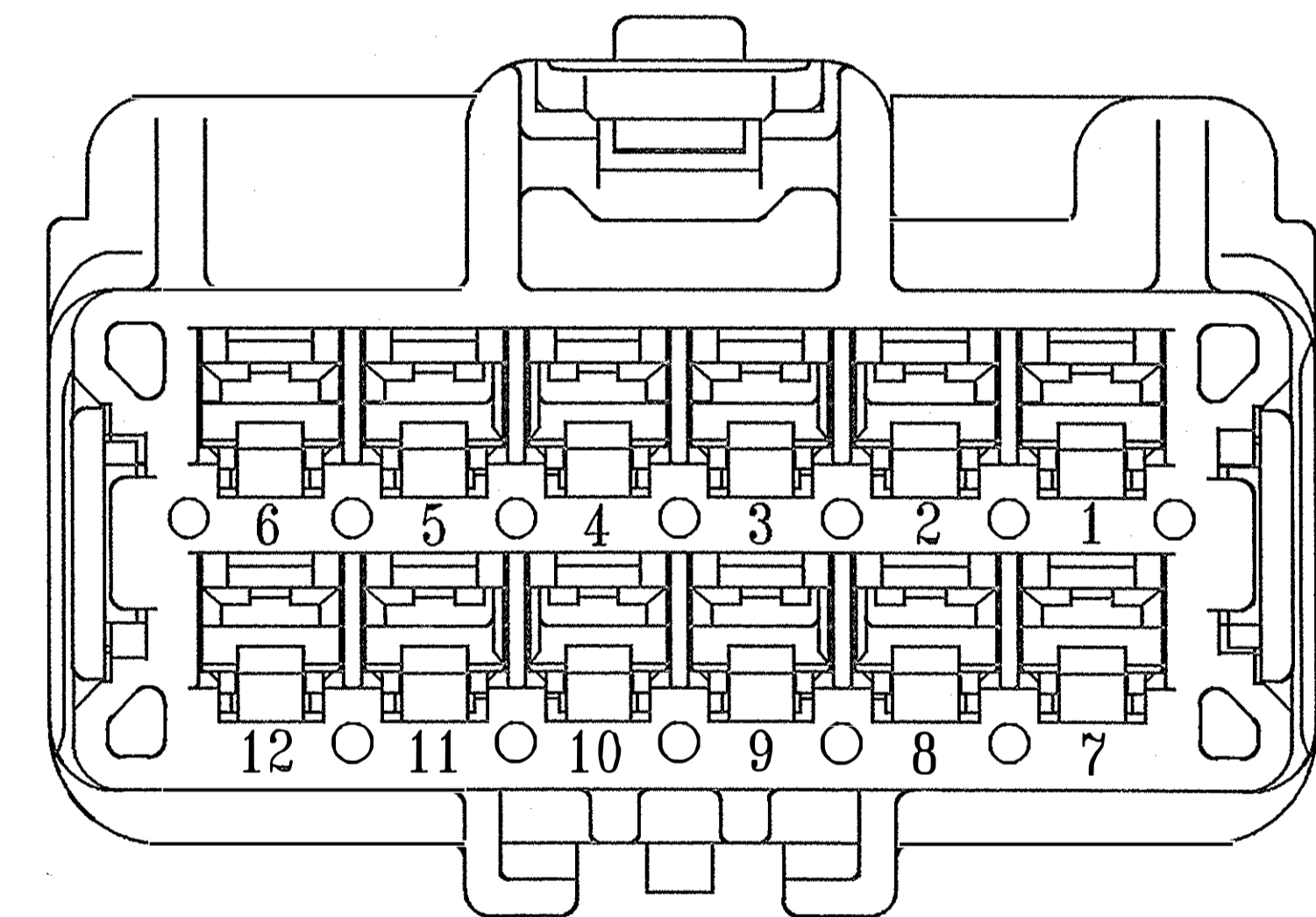


7282-6468-60
(TYPE B)

SUB ASSEMBLY PART NUMBER	NO.	PART NUMBER	PART NAME	MATERIAL	COLOR	QUANTITY
7282-6467-40	①	7182-6467-40	12P KAIZEN 2.8 UNSEALED MALE HOUSING (TYPE A)	PBT+GF	LIGHT GRAY	1
	②	7158-6198-50	12P KAIZEN 2.8 UNSEALED MALE TPA	PBT	ORANGE	1
7282-6468-60	①	7182-6468-60	12P KAIZEN 2.8 UNSEALED MALE HOUSING (TYPE B)	PBT+GF	GREEN	1
	②	7158-6198-50	12P KAIZEN 2.8 UNSEALED MALE TPA	PBT	ORANGE	1



SECTION A-A



NOTES:

- PARTS MUST BE PURCHASED FROM YAZAKI.
- PARTS MUST BE FREE OF FLASH AND IMPERFECTIONS THAT AFFECT FUNCTION.
- APPLICABLE TERMINAL: SEE 7114-4110-02-R DRAWING. (YESC 2.8)
- MATING PART NUMBER: 7283-6467-40 (TYPE-A) OR EQUIVALENT
7283-6468-40 (TYPE-B) OR EQUIVALENT
- PART DESIGNED TO SATISFY USCAR-2, REVISION 3, APRIL 2001, CLASS 2.
- PART TO COMPLY WITH YPES-31-038 REQUIREMENTS.
- THIS DIMENSION SHOWS THE PRE-SET POSITION OF THE TPA.
- THIS DRAWING IS TO BE USED FOR INTERNAL YAZAKI PSW SUBMISSION.

ISSUE MARK

CUSTOMER PART NO.	CUSTOMER DWG NO.	MATL SPEC. SEE TABLE	TREAT. & FIN.
OFFICE YNA	TRIAL PART NO.	NAME 12P KAIZEN YESC 2.8mm UNSEALED MALE SUB ASSEMBLY	
VENDOR NO.	DWG SOURCE	DWG DATE	UNIT SCL ANGLE PART NO.
	NEW	07.01.08	mm 5/1 3 7282-6467-40 ETC
APPROVED	CHECKED	DESIGN	DWG NO. 7282-6467-40:R
		H.ALI	YAZAKI CORPORATION
	07.01.08	07.15.02	07.21.08

GENERAL TOLERANCE							
	10MAX	50MAX	100MAX	250MAX	2500VR	ANGLE	ECCENT
A	± 0.15	± 0.2	± 0.3	± 0.5	± 0.75	$\pm 30'$	0.1
B	± 0.2	± 0.3	± 0.55	± 0.95	± 1.4	$\pm 30'$	0.1
(C)	± 0.3	± 0.5	± 0.8	± 1.4	± 2	$\pm 30'$	0.15
SPECIFIED						WEIGHT	g

DATE	REVISION RECORD	NO.	CHKD
07.01.08	NEW	C08-A708	JAR
			CHKD