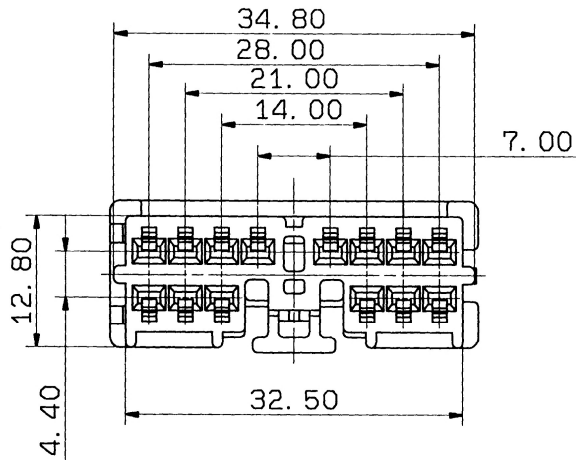


YAZAKI PART NO.	COLOR
7183-4041	NATURAL
7183-4041-30	BLACK
7183-4041-40	LIGHT GRAY
7183-4041-80	BROWN
7183-4041-90	BLUE

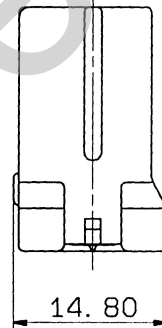
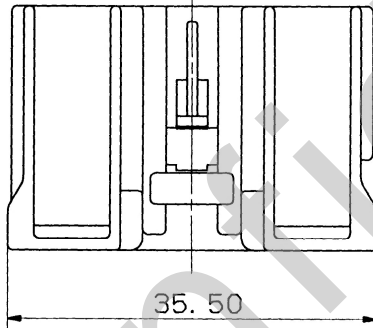
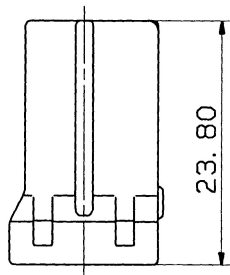


注 記

- 1. 嵌合相手品番 : 7182-4041 ETC., 7122-8346 ETC.
- △ 2. 適用ターミナル品番 : 7116-1486-02, 7116-1486-08
7116-1487-02
- 3. 適用リヤホルダ品番 : 7157-4590-30

NOTES

- 1. MATING PART NO. : 7182-4041 ETC., 7122-8346 ETC.
- △ 2. APPLICABLE TERMINAL NO. : 7116-1486-02, 7116-1486-08
7116-1487-02
- 3. APPLICABLE REAR HOLDER NO. : 7157-4590-30



ISSUE MARK

△	93.03.30	CHANGED TERMINAL PART NO. & ADDED HOUSING PART NO.	C93-6409	T. M	CUSTOMER	CUSTOMER PART NO.	CUSTOMER DWG NO.	MATL. SPEC.	PBT	TREAT. & FIN.				
	92.04.28	NEW	C92-L204	S. I	OFFICE		TRIAL PART NO.	NAME SDL II CONNECTOR						
LET	DATE	REVISION RECORD	NO.	CHKD	VENDOR			HOUSING 14P FEMALE						
GENERAL TOLERANCE					VENDOR NO.			PART NO. 7183-4041 ETC.						
	10MAX	50MAX	100MAX	250MAX	2500VR	ANGLE	ECCENT	DWG TYPE	DWG SOURCE	DWG DATE	UNIT	SCL	ANGLE	DWG NO. 7183-4041:R
A	±0.15	±0.2	±0.3	±0.5	±0.75	±30°	0.1	R	NEW	92.04.28	mm	2/1	3	
B	±0.2	±0.3	±0.55	±0.95	±1.4	±30°	0.1	APPROVED	CHECKED	CHECKED	DESIGN	DRAWN		
©	±0.3	±0.5	±0.8	±1.4	±2	±30°	0.15		杉井	飯島	M. ABE	Tony Mahon		
SPECIFIED					MASS				93.04.06	93.04.06	91.10.23	93.03.30		YAZAKI CORPORATION