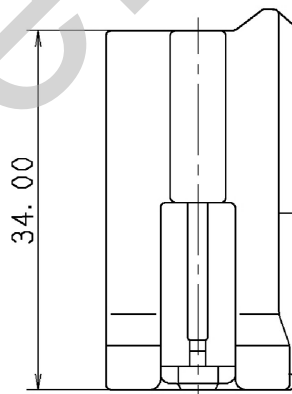
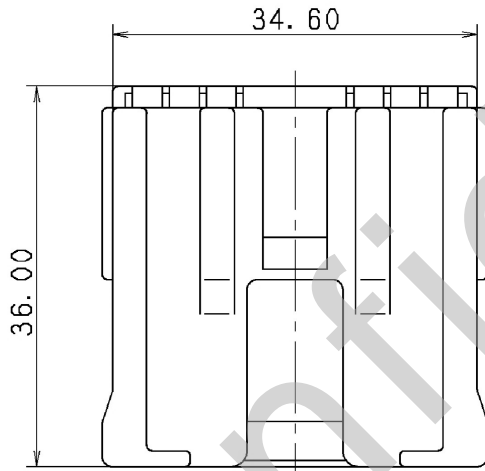
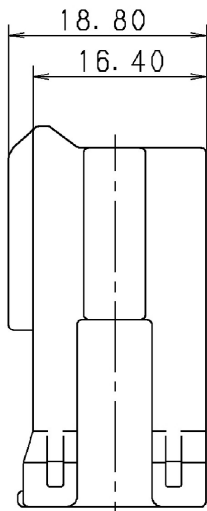
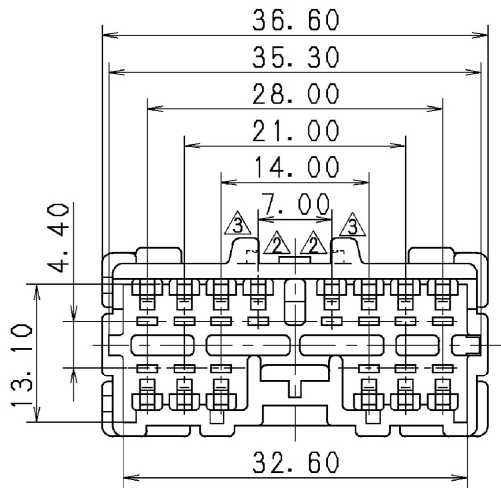


YAZAKI PART NO.	COLOR
7182-4041,	NATURAL
7182-4041-30,	BLACK
7182-4041-40,	LIGHT GRAY
7182-4041-80,	BROWN
7182-4041-90,	BLUE



注 記

1. かん合相手品番 : 7183-4041 ETC., 7123-8346 ETC.
2. 適用ターミナル品番 : 7114-1470, 7114-1470-08
7114-1475, 7114-1475-08
3. 適用リヤホルダ品番 : 7157-4589-20

NOTES

1. MATING PART NO. : 7183-4041 ETC., 7123-8346 ETC.
2. APPLICABLE TERMINAL NO. : 7114-1470, 7114-1470-08
7114-1475, 7114-1475-08
3. APPLICABLE REAR HOLDER NO. : 7157-4589-20

	10. 11. 15	CHANGED PART NAME	C10-ZB10	R. M
	95. 07. 19	CHANGED FORM,	C95-M064	T. O
	95. 04. 20	CHANGED FORM,	C95-L462	A. H
	93. 03. 31	COLOR NO. ADDED ETC.	C93-6433	T. M
	92. 04. 28	NEW	C92-L204	S. I
LET	DATE	REVISION RECORD	NO.	CHKD

CUSTOMER		CUSTOMER PART NO.		CUSTOMER DWG NO.	
OFFICE		TRIAL PART NO.		VENDOR	
VENDOR		VENDOR NO.		VENDOR NO.	

MATL. SPEC.	PBT	TREAT. & FIN.
NAME SDL II HOUSING 14P MALE		
ISSUE MARK		

GENERAL TOLERANCE								DWG TYPE	DWG SOURCE	DWG DATE	UNIT	SCL	ANGLE
	10MAX	50MAX	100MAX	250MAX	250OVR	ANGLE	ECCENT	R	NEW	92. 04. 28	mm	2/1	3
A	±0. 15	±0. 2	±0. 3	±0. 5	±0. 75	±30'	0. 1	APPROVED	CHECKED	CHECKED	DESIGN	DRAWN	
B	±0. 2	±0. 3	±0. 55	±0. 95	±1. 4	±30'	0. 1	S. MIZUSE		R. CABANGAL	M. ABE	R. MAJERANO	
C	±0. 3	±0. 5	±0. 8	±1. 4	±2	±30'	0. 15	10. 11. 15		10. 11. 15	91. 10. 23	10. 11. 15	
SPECIFIED							MASS						

PART NO.	7182-4041 ETC.
CH. CODE	
DWG NO.	7182-4041:R
YAZAKI CORPORATION	