

1

2

3

注記

1. 適用ハウジング品番 : 7183-4041 ETC.

NOTE

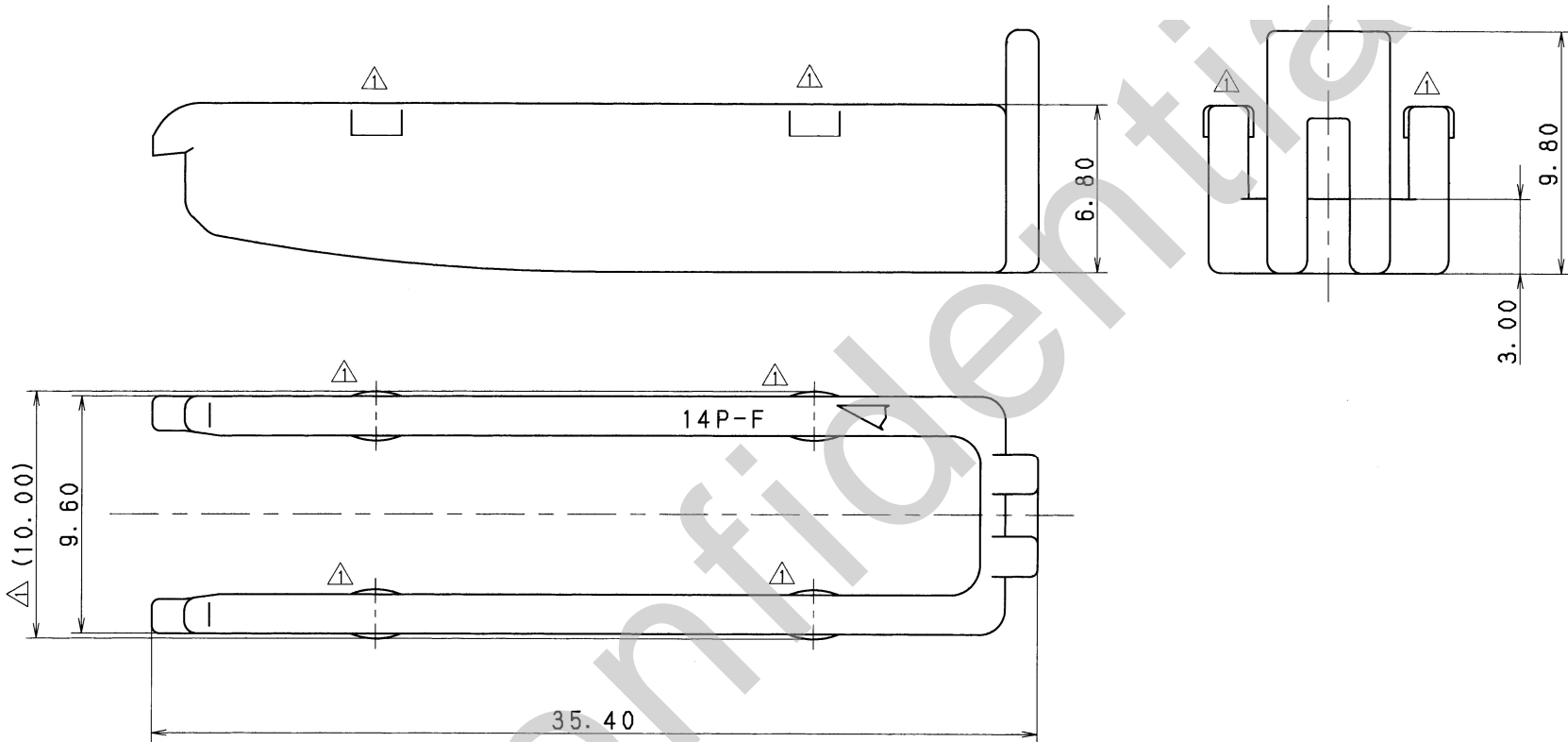
1. APPLICABLE HOUSING NO. : 7183-4041 ETC.

B

A

B

A



ISSUE MARK

										CUSTOMER				MATL. P. P.		TREAT.							
										CUSTOMER PART NO.				CUSTOMER DWG NO.		SPEC. (BLACK)		& FIN.					
										OFFICE				NAME									
										VENDOR				SDL II CONNECTOR									
										VENDOR NO.				REAR HOLDER 14P FEMALE									
GENERAL TOLERANCE										DWG TYPE		DWG SOURCE		DWG DATE		UNIT		SCL		ANGLE			
		10MAX	50MAX	100MAX	250MAX	250OVR	ANGLE	ECCENT	R		NEW		92.04.28		mm		5/1		3				
A	△	±0.15	±0.2	±0.3	±0.5	±0.75	±30'	0.1	APPROVED		CHECKED		CHECKED		DESIGN		DRAWN		PART NO.				
B	△	±0.2	±0.3	±0.55	±0.95	±1.4	±30'	0.1	手塚		石村		坂島		M. ABE		KAMIYAMA		7157-4590-30, [A]				
◎	△	±0.3	±0.5	±0.8	±1.4	±2	±30'	0.15	95.10.17		95.10.13		95.10.13		91.10.23		95.10.11		DWG NO.				
SPECIFIED										9		95.10.17		95.10.13		95.10.13		91.10.23		95.10.11		7157-4590-30:R	
										MASS						YAZAKI CORPORATION							

1

2

3